



**ZEE Systems, Inc.**

**COMPONENT MAINTENANCE MANUAL SZ58-003**

***Component***

***Maintenance***

***Manual***

***with***

***Illustrated Parts List***

***for***

***SZ58-003-Series***

***Compressor Drive Motor***



**ZEE Systems, Inc.**

**COMPONENT MAINTENANCE MANUAL SZ58-003**

***Record of Revisions***

<b><i>REVISION NO:</i></b>	<b><i>ISSUE DATE</i></b>	<b><i>POSTED DATE</i></b>	<b><i>INSERTED BY:</i></b>
1	15 AUG 2016	15 AUG 2016	ZEE Systems, Inc.
2	01 MAR 2017	01 MAR 2017	ZEE Systems, Inc.



**ZEE Systems, Inc.**

**COMPONENT MAINTENANCE MANUAL SZ58-003**

***List of Effective Pages  
and  
Table of Contents***

<b><i>PAGE</i></b>	<b><i>TITLE</i></b>	<b><i>EFFECTIVE DATE / REV</i></b>
1	COVER PAGE	1
2	RECORD OF REVISIONS	1
3	LIST OF EFFECTIVE PAGES	1
4	.continued	1
5	<b>1.0 INTRODUCTION</b>	1
	1.1 Purpose	
	1.2 Description	
	1.3 Service Life	
	1.4 Leading Particulars	
	<i>TABLE 1-1</i>	
6	<i>ILLUSTRATION 1</i>	1
7	<i>ILLUSTRATION 2</i>	1
	<i>ILLUSTRATION 3</i>	
8	<b>2.0 SPECIAL TOOLS AND TEST EQUIPMENT</b>	1
	2.1 Materials required for Overhaul	
	<i>TABLE 2-1</i>	
	2.2 Special Tools for Overhaul	
9	<i>TABLE 2-2</i>	1
10	2.3 Test Equipment	
	<i>TABLE 2-3</i>	
11	<b>3.0 REPAIR AND OVERHAUL</b>	1
	3.1 Disassembly	
	<i>ILLUSTRATION 4</i>	
12	3.2 Inspection	1
13	<i>ILLUSTRATION 5</i>	1
14	<i>TABLE 3-1A</i>	1
15	<i>TABLE 3-1B</i>	1
16	<i>TABLE 3-1C</i>	1
	3.3 Repair and Overhaul	
17	<i>ILLUSTRATION 6</i>	1
18	<i>ILLUSTRATION 7</i>	1
19	<i>ILLUSTRATION 8</i>	1
	3.4 Assembly	
20	<i>ILLUSTRATION 9</i>	1
21	.continued	
	<i>ILLUSTRATION 10</i>	
22	3.5 Functional Test	1
	<i>ILLUSTRATION 11</i>	
23	.continued	1
	<i>ILLUSTRATION 12</i>	



**ZEE Systems, Inc.**

**COMPONENT MAINTENANCE MANUAL SZ58-003**

<b>PAGE</b>	<b>TITLE</b>	<b>EFFECTIVE DATE / REV</b>
24	<b>4.0 SERVICE</b>	1
	4.1 Brush Inspection	
	<i>ILLUSTRATION 13</i>	
25	<i>ILLUSTRATION 14</i>	1
26	<b>5.0 SERVICE SCHEDULES</b>	1
	5.1 Inspection	
	5.2 Overhaul	
27	<b>6.0 TOLERANCES</b>	1
	<i>TABLE 6-1</i>	
	<b>7.0 TROUBLE SHOOTING</b>	
28	<i>TABLE 7-1</i>	1
29	<b>8.0 ILLUSTRATED PARTS LIST</b>	1
	8.0.1 Explanation Of Symbols	
	8.0.2 Interchangeable Hardware	
30	8.1 SZ58-003 IPL	1
31	.continued	1
32	..continued	1
33	<i>FIGURE 8-1</i>	1
34	8.2 SZ58-021 IPL	1
35	<i>FIGURE 8-2</i>	1
36	<i>FIGURE 8-3</i>	1
37	<i>FIGURE 8-4</i>	1
38	<b>9.0 SUMMARY OF MODIFICATIONS</b>	1
	9.1 MOD A	
	9.2 MOD B	
	9.3 MOD C	
	9.4 MOD D	
	9.5 MOD E	
	9.6 MOD F	
	9.7 MOD G	
	9.8 MOD H	
	9.9 MOD I – NOT USED	
	9.10 MOD J	
	9.11 MOD K	
	9.12 MOD L	
39	9.13 MOD M	1
	9.14 MOD N	
40	<i>APPENDIX A</i>	1
41	.continued	1
42	..continued	1
43	...continued	1
44	Summary of Revisions	1

\* INTITIAL RELEASE 1-15-03



**ZEE Systems, Inc.**

**COMPONENT MAINTENANCE MANUAL SZ58-003**

**1.0 INTRODUCTION**

1.1 PURPOSE: The primary purpose of the SZ58-000-SERIES Motor is to drive the compressor of the vapor cycle air conditioning system. This motor is designed to provide a constant speed power source with high torque starting characteristics.

1.2 DESCRIPTION: The compressor drive motor operates on 28 VDC supplied by the aircraft electrical system. The motor is compound wound with high torque starting characteristics and is designed for operation up to 35,000 feet altitude. The motor is equipped with an internal fan and is self cooled. Some applications may have additional ram air supplied for supplemental cooling capability.

1.3 SERVICE LIFE: This motor has a service life of 2,000 hours (Hobbs meter) and should be overhauled at that time. The brushes should be inspected every 500 hours (Hobbs meter). Refer to TABLE 5-1 for service and overhaul schedules.

**NOTE**

*Throughout this manual reference is made to the Illustrated Parts List. The figure and item referenced are shown in parenthesis (fig-item) in the text.*

1.4 LEADING PARTICULARS: See TABLE 1-1

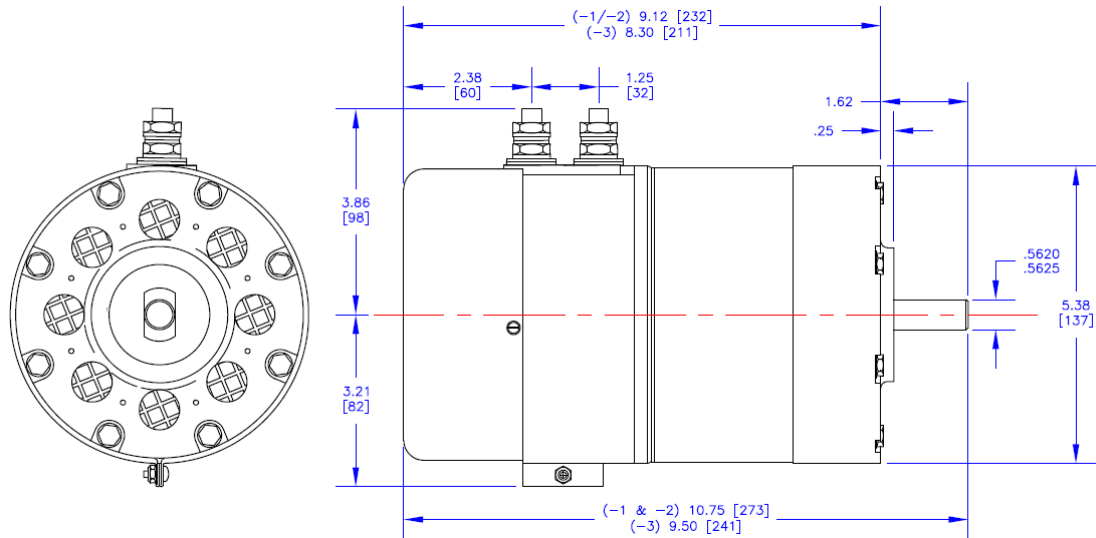
Horsepower - Rating.....	3.75
Duty .....	Continuous
Torque - Pound-Feet.....	2.9 lb.-ft. (3.9 N-m)
Voltage - Direct Current.....	27-30
Load - Continuous (Amperes).....	150
RPM - No Load (min) .....	7,500
RPM @ 2.9 LB-FT Torque (min).....	8,000
Cooling.....	Internal Fan
Rotation - Viewed from drive end.....	CW
Overall Length - Inches.....	10.75 (273mm)
Weight - Approximate net.....	20 Lbs. (9.07 Kgs.)

*TABLE 1-1*

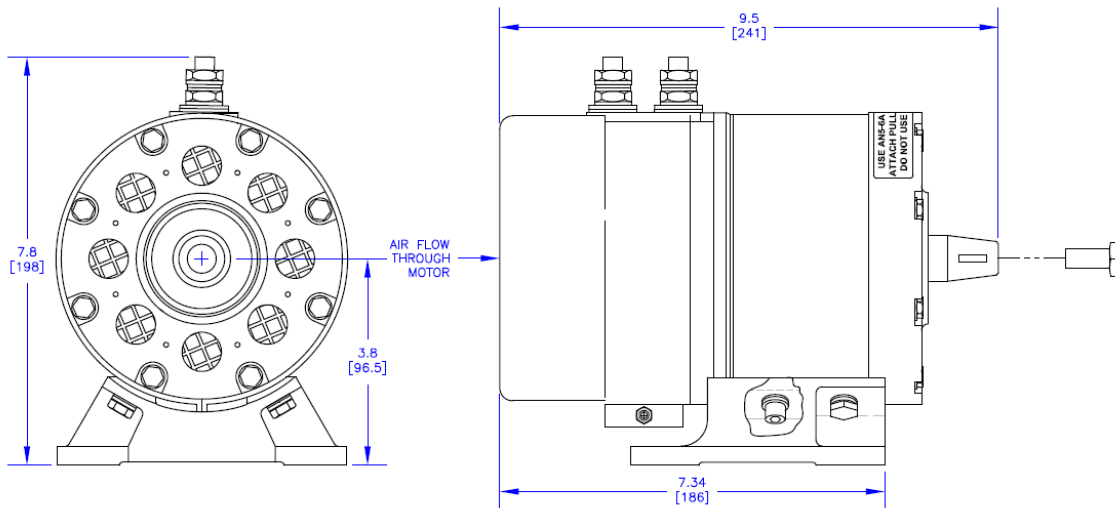


**ZEE Systems, Inc.**

**COMPONENT MAINTENANCE MANUAL SZ58-003**



**SZ58-003-1 / -2 DIMENSIONS**



**SZ58-003-3 DIMENSIONS**

**ILLUSTRATION 1**



**ZEE Systems, Inc.**

**COMPONENT MAINTENANCE MANUAL SZ58-003**

**ZEE Systems, Inc.**  
 SAN ANTONIO, TX, USA  
 MOTOR ASSEMBLY, D.C.

P/N

S/N  28 VDC CONT

MODS  AMPS

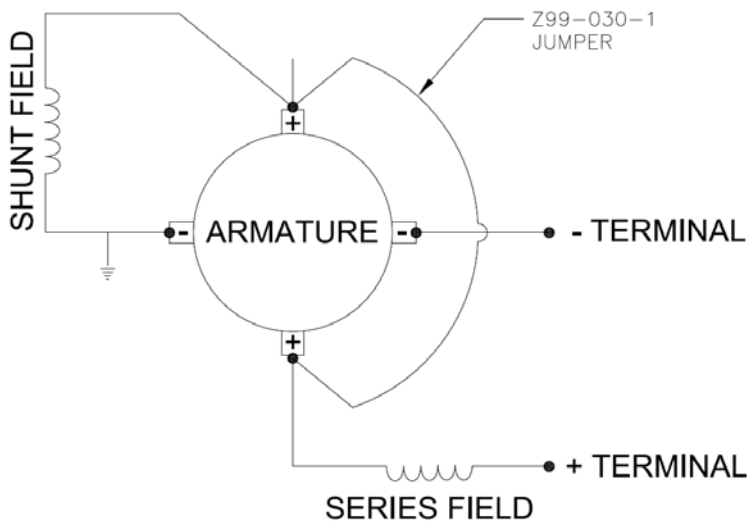
259179-1  
PLACARD

ROTATION

MODIFICATIONS  
WILL BE MARKED  
IN THIS BLOCK.

Modification Status Is Important  
When Ordering Parts

*ILLUSTRATION 2*



Motor Schematic Wiring Diagram

*ILLUSTRATION 3*



**ZEE Systems, Inc.**

**COMPONENT MAINTENANCE MANUAL SZ58-003**

**2.0 MATERIALS, SPECIAL TOOLS AND TEST EQUIPMENT**

2.1 MATERIALS REQUIRED FOR OVERHAUL are listed in TABLE 2-1.

NOTE: Equivalent materials may be used for items listed.

MATERIAL	SOURCE
Cleaning Solvent FED SPEC P-D-680 Type I, "Stoddard Solvent" Type II, "140F Solvent" or other biodegradeable solvents or agents which will not attack the metal, non-metallic components or the electrical insu- lation or varnish.	Commercially available
Degreaser	Commercially available
Loctite, Grade D	Loctite Corporation
Chemical Film Solution Alodine 1200 Turco 4178 Iridite 14-2	Commercially available
Sandpaper	180 grit or finer
Cleaning Pads, lint-free, soft cotton	Commercially available
Bristle Brush, soft (non-metallic)	Commercially available

*TABLE 2-1*

2.2 EQUIPMENT AND SPECIAL TOOLS required for Overhaul and repair are listed in TABLE 2-2.

NOTE: Equivalent tools may be used for items listed. See APPENDIX A for data to fabricate fixtures.





**ZEE Systems, Inc.**

**COMPONENT MAINTENANCE MANUAL SZ58-003**

EQUIPMENT / SPECIAL TOOLS	SOURCE
SZ58100 Spanner Wrench	ZEE Systems, Inc.
SZ58T102 Fixture	ZEE Systems, Inc.
SZ58T103 Fixture	ZEE Systems, Inc.
SZ58T104 Fixture	ZEE Systems, Inc.
SZ58T105 Fixture	ZEE Systems, Inc.
SZ58T106 Fixture	ZEE Systems, Inc.
SZ58T107 Fixture, Locked Rotor	ZEE Systems, Inc.
Lathe, engine	Commercially available
Undercutting mill	Commercially available
Rotor Balancing Machine capable of measuring 10 grain-inches	Commercially available
High Potential Tester capable of 220 VAC rms, 60 Hz for one minute	Commercially available
Growler with test light.	Commercially available
Micrometer 0-1.0000" 2-3.000"	Commercially available
Dial Indicator 0-0.3000"	Commercially available
Spring Scale 0-60 oz.	Commercially available
Puller, bearing	Commercially available
Arbor Press	Commercially available

*TABLE 2-2*



**ZEE Systems, Inc.**

**COMPONENT MAINTENANCE MANUAL SZ58-003**

2.3 TEST EQUIPMENT required for Airworthy-Return to Service Certification is listed in TABLE 2-3.

EQUIPMENT	SOURCE
D.C. Power Source, variable capable of 28 VDC @ 200 Amps (continuous)	Commercially available
Tachometer, Strobe or Phototach capable of measuring 10,000 RPM (minimum)	Commercially available
Temperature Measuring Device 0-300F range (rapid response)	Commercially available
D.C. Voltmeter/Multimeter, 0-35 volt range	Commercially available
D.C. Ammeter 0-600 ampere range	Commercially available
High Potential Tester capable of 220 volts AC rms, 60Hz for one minute.	Commercially available

*TABLE 2-3*



## **ZEE Systems, Inc.**

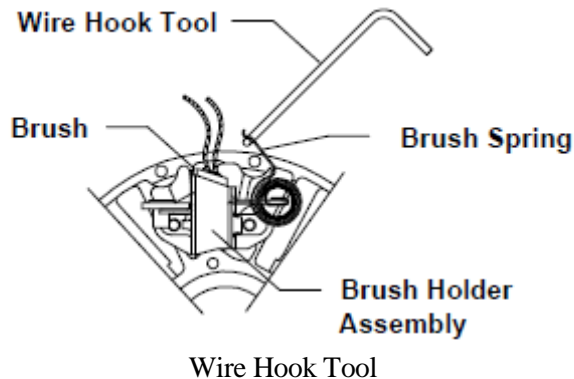
### **COMPONENT MAINTENANCE MANUAL SZ58-003**

#### **3.0 REPAIR AND OVERHAUL**

3.1 **MOTOR DISASSEMBLY:** After the motor has been removed from the aircraft and the mounting frames. Remove the:

3.1.1 **BRUSH BANDS (1-11)** by removing screw and nut (1-43/-45). Unhook the bands from the commutator end bell (1-14/-15/-16)

3.1.2 **BRUSHES.** Obtain a short length of stiff wire, and form a right angular hook tool approximately .25" on one end. Using this hook, lift the brush springs and slide the brushes from the holder. Remove the four screws (1-30). Note the location of each brush. If the brushes are to be reused they must be installed in the same holder. These screws also attach the stator coil terminals and jumper (2-2).



*ILLUSTRATION 4*

3.1.3 **FAN COVER ( 1-4/-5/-6/-55).** Loosen and remove the four screws (1-39 ) and washers (1-48 ). One will also hold the clamp (NS ).

3.1.4 **FAN (8-1/21).** Using a SZ58T101 socket spanner remove the round nut (1-29/-68 ) and lock washer (1-25/-69). Walk the fan (1-21) off the armature shaft and recover the key (1-32 ).

3.1.5 **DRIVE END (D.E.), END BELL (1-13/-56/-72).** Remove the bolts (1-35/-59/-73) and washers (1-48/-51) which attach the drive end bell to the stator (1-17/-18/-70). On the commutator end remove the screws and washers from the bearing retainer. Lay the motor horizontal and hold the stator with one hand. Using a rawhide or plastic mallet, tap the shaft on the commutator end of the armature (1-9/-10/-57/-67) until the armature is free of the commutator end bell (1-14/-15/-16). Take care not to damage the commutator on the armature. In most cases the bearing on the commutator side will remain on the armature shaft. Occasionally the bearing will stay in the commutator end bell. Either case is okay.



## **ZEE Systems, Inc.**

### **COMPONENT MAINTENANCE MANUAL SZ58-003**

3.1.6 **ARMATURE** (1-9/-10/-57/-67). Separate the armature (1-10/-67) from the drive end bell (1-13/-56/-72). If necessary support the drive end bell with two wood blocks slightly longer than the armature and press the armature and bearing out of the end bell using an arbor press. After separating the armature from the drive end housing use a bearing puller to remove the drive end bearing (1-22) from the armature, discard bearing. Take care not to damage the internal threads on the armature drive end shaft. Remove the Ccommutator end (Anti-Drive End A.D.E.) bearing (1-23 ) bearing from the armature in the same manner. Save the inner bearing retainer for reassembly.

3.1.7 **COMUTATOR (Anti-Drive End, A.D.E.) END BELL** (1-14/-15/-16). To remove the bearing from the commutator end bell use a rawhide or plastic mallet to tap out the bearing, or press the bearing from the end bell using an arbor press, discard bearing.

3.1.7.1 Only separate the stator and commutator end bell if required for repair or replacement. To separate the commutator end bell from the stator (1-17/-18/-70), remove the bolt and washers (1-37/-49/-52) from the copper stator lead to the positive stud on the end bell, then remove the screws and washers (1-40/-48). Using a rawhide or plastic mallet lightly tap the stator housing. To remove the bearing retainers (1-26/-27/-28) loosen and remove the four screws (1-31/-60). Press the bearing (1-23) out of the housing using an arbor press.

3.1.7.2 Inspect the motor components in accordance with Table 3-1. Only disassemble commutator end bell far enough to make needed repairs.

3.2 **INSPECTION**: Refer to TABLE 3-1 for inspection criteria and dimensional tolerances.

#### **WARNING**

***HIGH POTENTIAL TESTING IS CONSIDERED HAZARDOUS.  
USE EXTREME CARE AND AVOID CONTACT WITH THE TEST PROBES  
OR ITEMS BEING CHECKED WHEN PERFORMING THESE TESTS. ONLY  
TRAINED PERSONNEL QUALIFIED AND FAMILIAR WITH THE PROPER  
OPERATION OF THE TEST EQUIPMENT SHOULD PERFORM THESE TESTS.***

#### ***NOTE***

***The armature, stator and commutator end bell must be clean and free of carbon dust before performing these checks.***

3.2.1 **ARMATURE**: Tests and inspections during overhaul before assembly.

3.2.1.1 Using the test circuit attach one lead to the shaft and the other to 1) the commutator risers, then 2) to each of the balance bands, then 3) to the laminations. Attach one lead to the commutator risers and the other to 1) each of the balance bands, then 2) laminations. If the test lamp lights during any of these checks the armature must be replaced.

3.2.1.2 Check for short circuits by using a growler. Move a piece of steel, such a hack saw blade, loosely over the laminations. If the steel is attracted to any point of the armature, there is a short circuit, and the armature must be replaced.



## **ZEE Systems, Inc.**

### ***COMPONENT MAINTENANCE MANUAL SZ58-003***

3.2.1.3 Conduct a high potential test between the armature shaft and the commutator risers at 220 VAC rms, 60 Hz for five seconds. Check between each of the balance bands to the commutator risers. No evidence of insulation breakdown shall occur as a result of these tests. If, breakdown occurs, the armature must be replaced.

3.2.1.4 Check dimensional tolerances shown in TABLE 3-1.

3.2.2 STATOR: Tests during overhaul before assembly.

3.2.2.1 Check for grounds, attach one end of the test lamp to the housing and the other to each of the copper leads and the white shunt wires. If lamp lights there is a short. Replace the stator.

3.2.2.2 Check for open circuits, attach the two test lamp leads to the small flexible shunt wires. If the lamp does not light there is an open circuit. Replace the Stator. Repeat for the two copper leads.

3.2.2.3 Check the resistance between the white shunt windings. Resistance should be 8.8-9.2 ohms. Replace stator if out of out of tolerance.

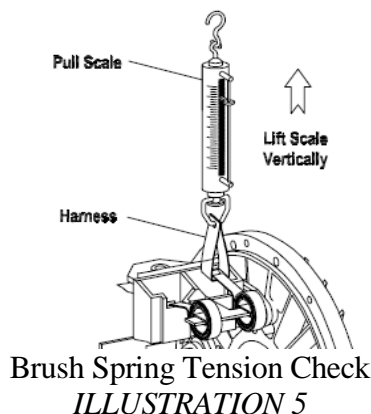
3.2.3 COMMUTATOR END BELL (A.D.E.): Tests during overhaul before assembly.

3.2.3.1 Check for grounds, attach one end of the test lamp to the housing and the other to the positive brush holder. If lamp lights there is a short. Repair the insulating components.

3.2.3.2 Check for open circuits, attach one of the two test lamp leads to the housing and the other to the negative brush holder. If the lamp does not light there is an open circuit. Repair to make the ground complete.

3.2.3.3 Check dimensional tolerances shown in TABLE 3-1.

3.2.4 BRUSH SPRING: Check brush spring tension by inserting a small hoop of wire under the tang of spring. Raise spring by means of a scale to a height of approximately  $\frac{1}{4}$  to  $\frac{3}{8}$  inch (6,35 to 9,53 mm). In this position spring tension should be between 32 and 48 ounces (.91 and 1.36 kg). Replace any spring whose tension is not within this range.





**ZEE Systems, Inc.**

**COMPONENT MAINTENANCE MANUAL SZ58-003**

3.2.5 BRUSH HOLDER: Inspect for cracks or warpage. Check that a new brush will slide in and out easily with no binding. Replace if defective.

3.2.6 RETAINER: Inspect for cracks, dents, wear, warpage or other defects. Replace if defective.

3.2.7 RETAINER: Inspect for cracks, dents, wear, warpage or other defects. Check that nuts are tight on plate. Replace if damaged or defective.

ITEM	DESCRIPTION	INSPECTION	TOLERANCE / ACTION
	Brush Cover	Check for dents or cracks.  Check insulation for damage.	Replace if defective.  Replace if defective.
	Brush	Check for cracks, chips, frayed leads and loose rivets or shunt connections.  Check length.	Replace if defective.  Minimum is .750. Replace as necessary.  Replace brushes if remaining allowable wear will be exceeded before next inspection or overhaul.
	Brush Spring	Check the tension on each spring.	Replace any spring that does not take 38-48 ounces of tension to raise .25-.38 inches.
	Brush Holder	Check for cracks or distortion.	Holder must be square where the brush rides. Replace or repair any holder in which the brush is not free to slide.
	Fan	Check for dents or cracks.  Check bore diameter.	Replace if defective.  Replace if bore more than .6715.
	Jumper	Test for short or open.  Check for frayed or damaged leads or insulation.	Replace if defective.  Replace if defective.
	End Bell, Drive End (D.E.)	Check for cracks, chips, frayed leads and loose screen or rivets.  Measure Bearing liner ID	Replace if defective.  Replace if ID does not measure 1.8500-1.8505.

TABLE 3-1A



**ZEE Systems, Inc.**

**COMPONENT MAINTENANCE MANUAL SZ58-003**

ITEM	DESCRIPTION	INSPECTION	TOLERANCE / ACTION
	Stator	<p>Check for breaks or frayed spots in the insulation.</p> <p>Test for grounds, opens, or shorts. Refer to 3.2.2 for procedures.</p>	<p>Repair any small defects by applying fiberglass sleeving or tape where possible. Paint over frayed or repaired areas with red insulating varnish or glyptal. Allow to dry between coats.</p> <p>Replace stator if defective.</p>
	Armature	<p>Check for worn, pitted or burned commutator bars; damaged windings, retainer, threads on shaft.</p> <p>Test for commutator ground. Refer to 3.2.1.1 for instructions.</p> <p>Test for short or open circuits. Refer to 3.2.1.2 for instructions.</p> <p>Check commutator diameter.</p> <p>Check commutator concentricity.</p> <p>Check the shaft bearing journal OD</p> <p>Check that the balance bands are tight.</p>	<p>Replace Armature if any of the commutator bars or windings are damaged.</p> <p>Replace if Armature shows ground.</p> <p>Replace if Armature has shorts or open circuits.</p> <p>Turn and undercut commutator. Replace Armature if after turning commutator the OD is under 2.125. Refer to XXXX for rework procedures.</p> <p>Bar to bar concentricity must be within 0.0002in. and concentricity with shaft must be within 0.0008in. T.I.R</p> <p>Replace Armature if the commutator bearing journal OD does not measure .6692-.6695.</p> <p>Replace Armature if the drive bearing journal OD does not measure .5620-5625.</p> <p>Replace Armature if bands are damaged or loose.</p>

TABLE 3-1B



**ZEE Systems, Inc.**

**COMPONENT MAINTENANCE MANUAL SZ58-003**

ITEM	DESCRIPTION	INSPECTION	TOLERANCE / ACTION
	End Bell, Anti Drive End. (A.D.E.) or Brush End or Comm End	<p>Check for cracks, chips, frayed leads and loose Brush Holders or connections.</p> <p>Check the positive Brush Holders are insulated from Ground.</p> <p>Check the negative Brush Holders have continuity to the housing.</p> <p>Measure Bearing liner ID</p>	<p>Replace if defective.</p> <p>There should be no continuity between the Positive Brush Holder and the housing. Use a volt meter or test light to check for continuity. Replace insulating components as necessary.</p> <p>Ground negative Brush Holders.</p> <p>Replace if ID does not measure 1.5747-1.5753.</p>

TABLE 3-1C

3.3 REPAIR AND OVERHAUL.

3.3.1 ARMATURE

3.3.1.1 Turning the Commutator: If inspection reveals that the commutator is rough, pitted, scored, or burned, refinish in a lathe that is accurately set up and adjusted. Remove only the material necessary to clean and true up the commutator surface. To insure uniformity of surface finish, a diamond tipped cutting tool with a maximum tool tip radius of 0.006 in. (including tool wear) is recommended for making the final surface cut on the commutator. Replace armature if refinished commutator diameter is less than 2.125 inches after refinishing. Hold commutator concentric with bearing journals within 0.0008 inch T.I.R., with bar to bar concentricity within 0.0002 inch.

3.3.1.2 Undercutting the Mica: If the depth of the undercut remaining after the turning operation has been completed is less than 0.032 inch, the mica between the commutator bars should be undercut to 0.026 wide and a depth of 0.032 deep. Use a triangular scraper to remove all excess mica, sharp edges, and burrs from between the commutator bars. Use a bristle brush to remove metal chips and mica particles from the slots between the commutator bars. Check for concentricity (4.2.1.).



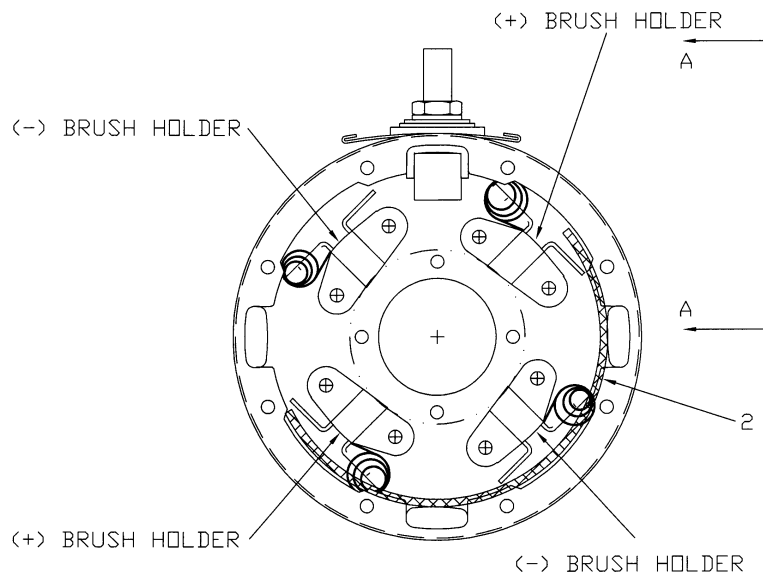


## ZEE Systems, Inc.

### COMPONENT MAINTENANCE MANUAL SZ58-003

3.3.1.3 Armature balancing: After commutator refinishing, check the armature for proper balance, which shall be within 2.7 grain-inches (.006 oz-in) at the commutator end and within 3.4 grain-inches (.008 oz-in) at the drive end. If balance correction is required, mill the stainless steel retaining bands at each end of lamination stack to a depth no deeper than 0.020 inch and 0.25 wide until the proper degree of balance is obtained. Only two 0.25 inch wide cuts are permitted in each band to maintain adequate hoop strength.

#### 3.3.2 COMMUTATOR END BELL



Commutator End Bell (A.D.E.)  
Viewed open end up

#### ILLUSTRATION 6

3.3.2.1 Brush Holder Assembly replacement: Replace any worn, burnt or defective Brush Holders. There are two Brush Holder part numbers. All four brush holders must be the same part number in the end bell. See ILLUSTRATION 7 or FIG. 8-3.

3.3.2.2 Removal (+) Brush Holder: Loosen nuts (7-7) and remove the two screws (7-12) and washers (7-11) and non-metallic washers (7-8,7-10). Remove holder (7-5) and insulating sleeves (7-9). Remove all insulating enamel residue from the commutator end bell (7-1).

3.3.2.3 Installation (+) Brush Holder: Install brush springs on holder as described in 3.3.3.1. Insert insulation sleeve (7-9) in commutator end bell (7-1). Place 2 washers (7-10/-26) on screw (7-12) and insert screws through insulation sleeves (7-9). Stack the non-metallic



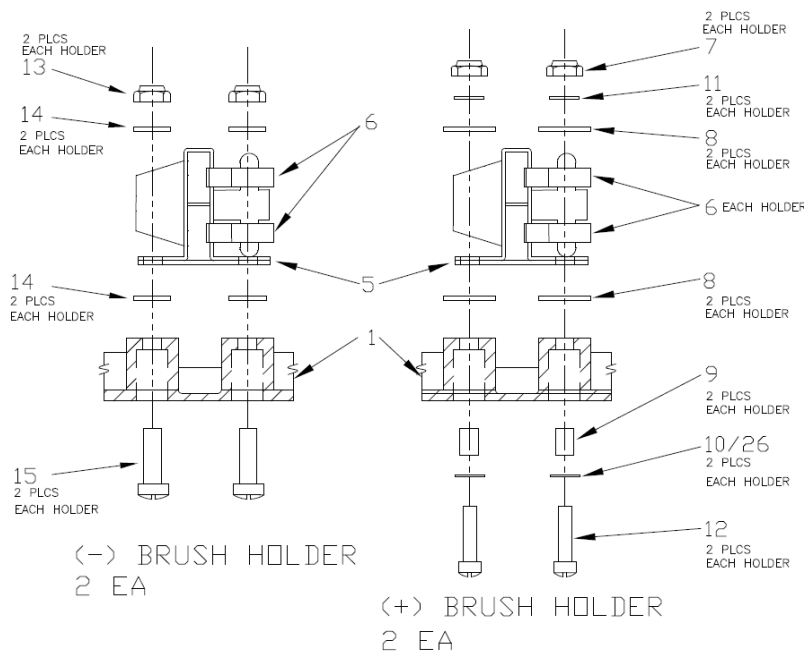
## ZEE Systems, Inc.

### COMPONENT MAINTENANCE MANUAL SZ58-003

washers (7-8) then the holder (7-5), then non-metallic washers (7-8) and then washers (7-11), secure with nuts (7-7). Tighten to 20-25 in-lbs. Coat edge of holder (7-5) base, washers (7-8,7-11), nuts (7-7) and screw heads (7-12) with red insulating enamel. Bake housing in an oven for one hour at a temperature of 150F (66C), remove and allow to cool to room temperature.

3.3.2.4 Removal (-) Brush Holder: Loosen nuts (7-13) and remove the two screws (7-15) and washers (7-14). Remove holder (7-5). Remove all insulating enamel residue from the commutator end bell.

3.3.2.5 Installation (-) Brush Holder: Install brush springs on holder as described in 3.3.3.1. Insert screw (7-15) in commutator end bell. Place washer (7-14) on screw then the holder (7-5) then the second washer (7-14) and secure with nuts (7-13). Tighten to 20-25 in-lbs.



Brush Holder Installation  
*ILLUSTRATION 7*

### 3.3.3 BRUSH SPRING

#### **CAUTION**

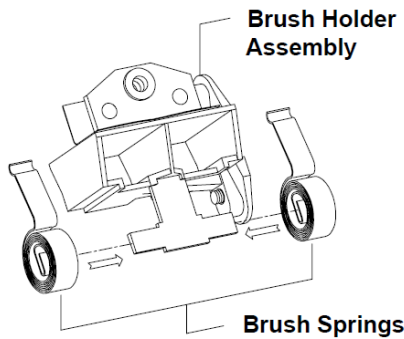
***Do not wind spring further than necessary to install in Position, or spring may take permanent set, and produce Insufficient pressure on brush.***



## **ZEE Systems, Inc.**

### ***COMPONENT MAINTENANCE MANUAL SZ58-003***

3.3.3.1 Brush Spring replacement: Remove defective spring from brush holder assembly. Wind the replacement spring approximately  $\frac{3}{4}$  turn and install on the brush holder spring support bar. Check the tension as described in 3.2.4.



**Brush Spring Installation**  
*ILLUSTRATION 8*

#### **3.3.4 BRUSH COVER**

3.3.4.1 Brush Cover insulation replacement: Remove all existing insulation from brush cover(s) (1-14) and thoroughly clean the inside diameter of cover. Apply a single layer of 8 mil acrylic PTFE coated fiberglass insulation with adhesive to the inside diameter flush with the edges and ends of the cover, trim any excess.

3.4 ASSEMBLY: The major components of the motor are the 1) armature, 2) drive end bell, 3) stator, 4) commutator end bell. The minor components are the 1) bearings, 2) retainers, 3) brushes, 4) jumper, and 5) hardware.

3.4.1 Place commutator end bell (1-14/-15/-16) in the arbor press open side down. Start bearing (1-23) into the bearing liner on the commutator end bell. Use SZ58T105 to press the bearing into the liner. This fit is loose. Use caution so the bearing does not fall through the housing when moving it. Place the retainer with threads (1-26/-28) on the inside (open end) of the housing and the retainer (1-27) on the outside. Attach the screws and washers (1-31/-60). Evenly tighten the hardware locking the bearing in place in commutator end bell. Set aside.

3.4.2 If the stator (1-17/-18/-19) is not attached to the commutator end bell attach it at this time. Make sure the positive post on the stator aligns with the positive brush holder (4-5) and the tab from the stator aligns with the positive stud (3-22) on the end bell. Secure with hardware. Set aside.

3.4.3 Place Fixture SZ58T104 in the arbor press with the small step up. Place drive end



## **ZEE Systems, Inc.**

### ***COMPONENT MAINTENANCE MANUAL SZ58-003***

bell(1-13/-56/-72) onto the Fixture SZ58T104 open side up. Start bearing in the drive end housing liner. Using SZ58T106 press the bearing into the drive end housing. Remove SZ58T106. Start the armature (1-9/-10/-57/-67) drive end shaft into the bearing. Place SZ58T103 on the commutator shaft and press the armature down onto the drive end bell. Remove the armature drive end unit.

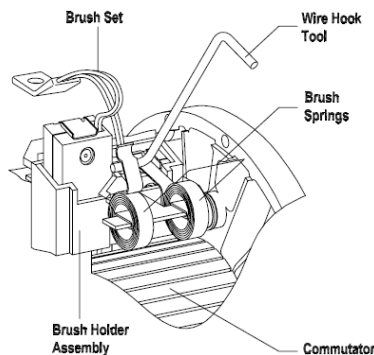
3.4.4 Place fixture SZ58T103 on the arbor press small end up. Place the commutator end bell/stator unit on fixture SZ58T103 open end up. Place the armature/drive end unit into the comm end bearing. Place fixture SZ58T102 on the drive end shaft and press the armature into the bearing until the drive end bell is about 1/32 away from the stator and is free to rotate.

3.4.5 Remove the unit from the arbor press. The drive end is a loose fit so take care to secure the end bell. Start the hardware that attaches the drive end bell to the stator. When the end bell is tight return the unit on fixture SZ58T103 drive end up. Place fixture SZ58T102 on the drive end shaft and press until all bearing are seated on the shoulder.

3.4.6 Turn the armature by hand. It should free and easy to turn. If there is binding use a small rubber mallet and tap the armature shaft on the commutator end. Again turn the armature. If there is no improvement tap armature shaft on the drive end. Continue this procedure until the armature spins freely. If tapping with the mallet does not improve the binding disassemble the unit to determine and correct the problem.

3.4.7 Place an adjustable wrench on the flats on drive end shaft. Attach fan (1-21). Secure with washer lock (1-25) and nut (1-29). Attach fan cover (1-5/-6/-55). Secure with hardware.

3.4.8 Install the four brushes (1-24). Secure with screws (1-30). Do not attach the brush covers (1-11/-12) until after the unit has been tested.



**Brush Installation**  
***ILLUSTRATION 9***



**ZEE Systems, Inc.**

**COMPONENT MAINTENANCE MANUAL SZ58-003**

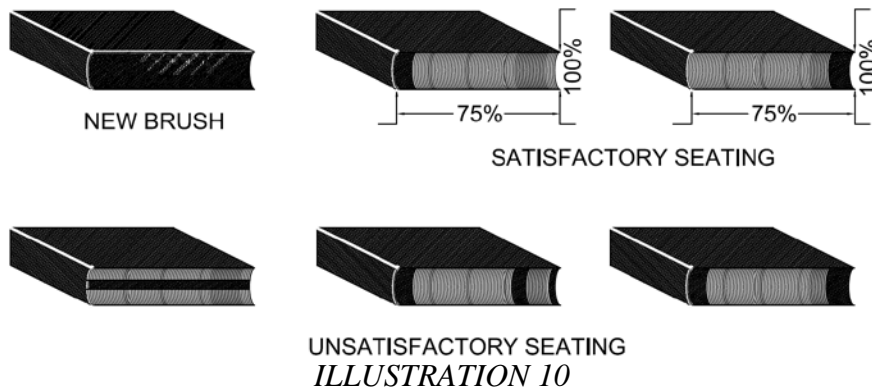
3.4.9 After the motor has been assembled the new brushes must be “run in” until each brush is seated 100 percent across the radius of the brush (where the brush meets the commutator) in the direction of rotation and at least 75 percent in the axial direction.

**WARNING**

***INJURY COULD OCCUR IF THE MOTOR IS NOT SECURED AT START UP.  
THE SZ58-003 MOTOR IS A HIGH TORQUE MOTOR.  
DO NOT APPLY FULL VOLTAGE AT START UP.***

3.4.10 Brush Seating – Preliminary. Cut a strip of sandpaper 220 grit or higher just slightly wider than the commutator surface with a length of 1/16 to 1/8 less than the circumference of the commutator. Attach the sandpaper to the commutator with masking tape so the rough side will contact the brush in such a manner that the taped end will be in the direction of rotation. Leave the other end loose. The loose end will overlap the masking tape so that when the armature is rotated the brush will ride off loose end and onto the taped end of the sandpaper. Slowly rotate the armature by hand until the basic shape of the commutator arc is worn into the brush. When the brush has the same arc as the commutator move the brushes away from the commutator and remove the sandpaper. Use light compressed air to remove any carbon dust. Gently lower the brushes onto the commutator.

3.4.11 Brush Seating. Connect the motor to a power supply capable of 50A @ 28VDC. Secure the motor. Slowly apply voltage so the motor does not jump until 26-28VDC is attained. It is normal for some minor arcing between the brush(es) and the commutator. As the brushes seat the arcing will stop. Do not continue if the arcing is excessive or becomes worse. This may be a sign of an electrical problem with the armature or commutator. After about a minute install the brush bands ( ) so proper internal cooling air flow will occur. Operate the motor with no load until each brush is seated 100 percent across the face of the brush (where the brush meets the commutator) in the direction of rotation and at least 75 percent in the axial direction. This may take several hours depending on the initial surface of the brushes. The motor should be run until the commutator has a smooth even glaze over the surface in contact with the brushes.





**ZEE Systems, Inc.**

**COMPONENT MAINTENANCE MANUAL SZ58-003**

3.5 FUNCTIONAL TEST: After run-in is complete perform the following tests. Tests must be accomplished in the order stated. All tests must be within the limits stated. Any out of tolerance test is reason to reject motor. Any excessive noise or vibration is reason to stop the test to determine and correct the cause.

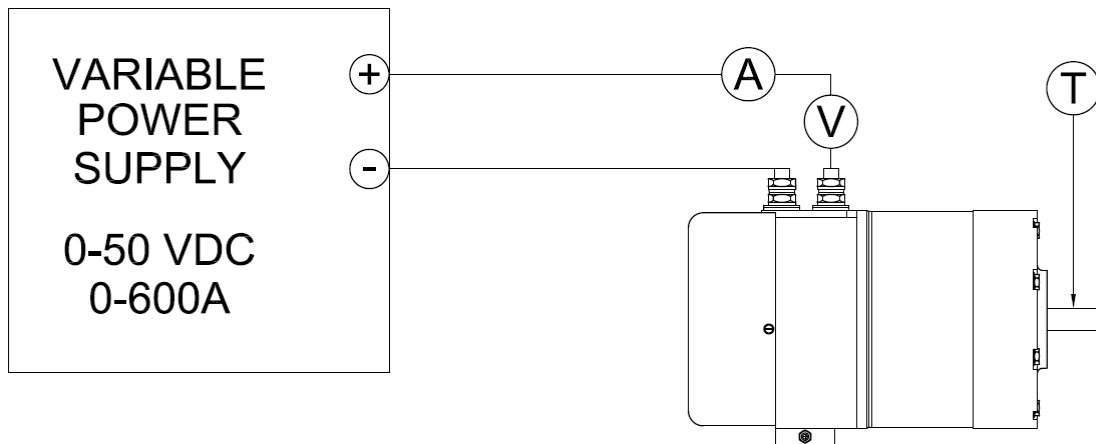
**WARNING**

**THE SZ58-003 MOTOR IS A HIGH TORQUE MOTOR. THE MOTOR MUST BE SECURED TO PREVENT ROTATING DURING THESE TESTS. INJURY COULD OCCUR IF THE MOTOR IS NOT SECURED AT START UP.**

**NOTE**

*Supply external cooling to the motor during these tests.*

3.5.1 FREE SPIN – COLD. Set up is shown in ILLUSTRATION 11.



V => Voltmeter  
A => Ammeter  
T => Tachometer

Refer to TABLE 2.3 for Equipment Specifications.

*ILLUSTRATION 11*

3.5.1.1 Slowly apply voltage. The motor should start to spin before 3 VDC is reached. Note starting voltage.

3.5.1.2 Apply 28 VDC. The stabilized RPM should be a minimum of 8,000. Note the RPM

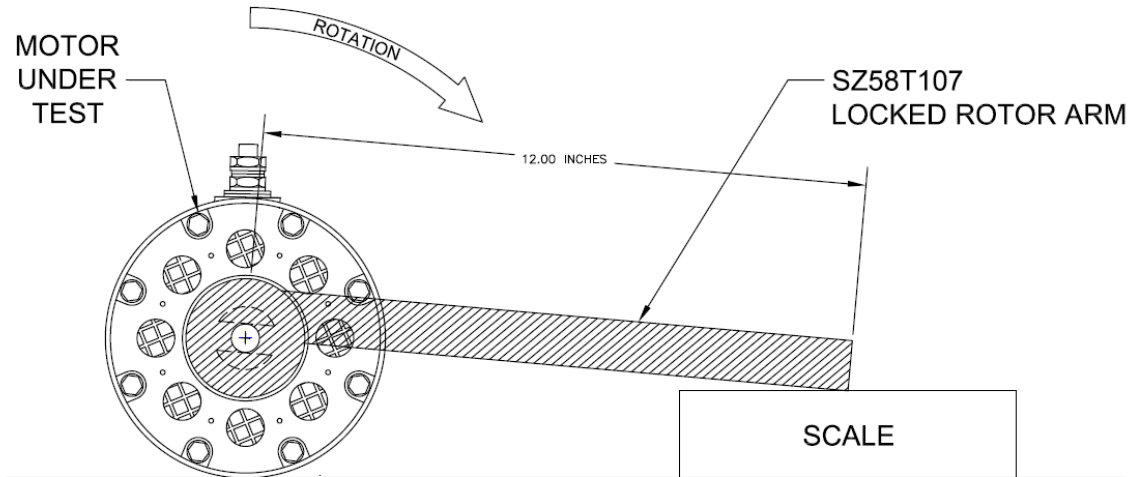


**ZEE Systems, Inc.**

**COMPONENT MAINTENANCE MANUAL SZ58-003**

3.5.1.3 When unit RPM has stabilized the running current should be less than 35 Amperes. Note the stabilized current.

3.5.2 LOCKED ROTOR. Set up is shown in ILLUSTRATION 12.



SECURE MOTOR. KEEP FROM ROTATING DURING TESTS

*ILLUSTRATION 12*

3.5.2.1 Apply 8 VDC. After 3 seconds the current should be less than 525 Amperes. Note the amperes reading. DO NOT maintain test for longer than 6 seconds.

3.5.2.2 Apply voltage 8 VDC until a reading of 4 ft-lbs torque is achieved. The current should be less than 525 Amperes. Note the amperes reading. DO NOT maintain test for longer than 6 seconds.

3.5.3 FREE SPIN – HOT. Perform these tests with the motor still hot from Test 3.5.2. Remove the SZ58T107 Locked Rotor Arm fixture to allow the motor to spin free.

3.5.3.1 Slowly apply voltage. The motor should start to spin before 3 VDC is reached. Note starting voltage.

3.5.3.2 Apply 28 VDC. The stabilized RPM should be a minimum of 8,000. Note the RPM

3.5.3.3 When unit RPM has stabilized the running current should be less than 35 Amperes. Note the stabilized current.



## **ZEE Systems, Inc.**

### **COMPONENT MAINTENANCE MANUAL SZ58-003**

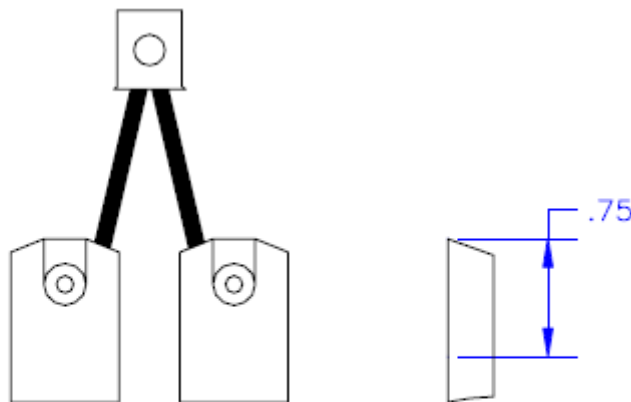
#### **4.0 SERVICE**

4.0.1 The only service required between overhauls is a brush inspection and replacement. Refer to 5.0 for service schedules. If space allows this service may be performed on the aircraft.

4.1 **BRUSH INSPECTION:** Brushes may be inspected without removing the motor from the installation. If possible remove the brush covers to reveal the brushes. If brushes are removed completely from the motor for inspection mark the location and return each brush to its original holder.

4.1.1 Lift the brush spring off the brush and slide the brush from the holder. The brush should slide easily in and out of the holder. If the brush is tight in the holder or if there is excessive side to side movement of the brush in the holder the motor should be removed for repair or overhaul.

4.1.2 Check each brush for chips, cracks, pitting, signs of arcing or overheating.



**CARBON CONTACTS DO NOT HAVE  
TO BE THE SAME LENGTH IN A  
BRUSH ASSEMBLY**

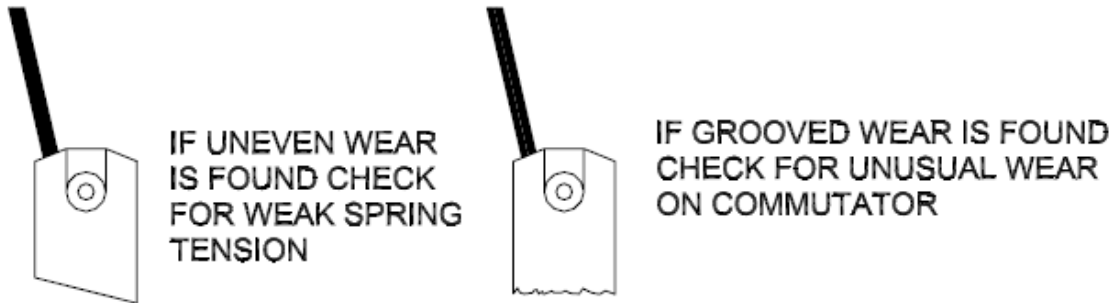
*ILLUSTRATION 13*





**ZEE Systems, Inc.**

**COMPONENT MAINTENANCE MANUAL SZ58-003**



*ILLUSTRATION 14*

4.1.3 With the brushes removed inspect the armature commutator for signs of overheating or unusual wear. A blackened film of carbon on the commutator is normal. Check for deep grooves or other signs of uneven wear on the commutator. Turn the armature by hand and check that there is no binding or end play. If any defect is noted the motor should be removed from service and repaired or overhauled.

4.1.4 When returning brushes to the holder gently lower the brush spring onto each brush. Do not drop the spring onto the top of the brush as damage to the brush may result.



**ZEE Systems, Inc.**

**COMPONENT MAINTENANCE MANUAL SZ58-003**

**5.0 SERVICE SCHEDULES**

**5.1 INSPECTION**

<b>ITEM DESCRIPTION</b>	<b>INSPECTION INTERVAL - HOURS*</b>
Brush	Every 250 hours. Inspect and replace as per 4.1

**5.2 OVERHAUL**

<b>ITEM DESCRIPTION</b>	<b>R&amp;R/T.B.O. HRS*</b>
Motor	2,000



**ZEE Systems, Inc.**

**COMPONENT MAINTENANCE MANUAL SZ58-003**

**6.0 TOLERANCES**

<b>DESCRIPTION</b>	<b>TOLERANCE</b>
Armature, commutator	Min. OD is 2.125  Concentricity bar to bar must be within 0.0002in.  Concentricity with shaft must be within 0.0008in. T.I.R
Armature shaft, Drive End	OD, .5620-5625.
Armature shaft, Comm End	OD, .6692-.6695.
Fan, bore diameter	Max. ID is .6715.
Drive End Bell, bearing liner	ID is 1.8500-1.8505.
Comm End, bearing liner	ID is 1.5747-1.5753.
Brushes	Min. .75

*TABLE 6-1*



**ZEE Systems, Inc.**

**COMPONENT MAINTENANCE MANUAL SZ58-003**

**7.0 TROUBLE SHOOTING**

<b>TROUBLE</b>	<b>POSSIBLE CAUSE</b>	<b>REMEDY</b>
Compressor Motor trips circuit breaker or current limiter	Motor shorted. Motor brushes worn beyond limits.	Repair/Overhaul/ Replace Motor.
	Short in wiring.	Check wiring to motor, repair as required.
	Motor bearing defective.	Repair/Overhaul/ Replace Motor.
Compressor Motor inoperative.	Motor open. Motor brushes worn beyond limits.	Repair/Overhaul/ Replace Motor.
	Short in wiring.	Check wiring to motor, repair as required.
	System pressure cut out switch open.	Check switch or system pressure.
Excessive vibration at Motor/Compressor.	Improper belt tension.	Adjust belt to correct tension.
	Worn, damaged or loose or over tightened mounts.	Adjust or replace mounts.
	Motor bearing defective.	Repair/Overhaul/ Replace Motor.

*TABLE 7-1*



**ZEE Systems, Inc.**

**COMPONENT MAINTENANCE MANUAL SZ58-003**

**8.0 ILLUSTRATED PARTS LIST**

**8.0.1 EXPLANATION OF SYMBOLS:**

- ALT - The Part Number shown is an approved alternate, either part number may be used.
- MOD "X" Refers to modification information of this part as applicable to this assembly.
- NP - Not Procurable individually, see next higher assembly.
- NS - Not Shown
- OBS - Obsolete
- USAGE/QTY - This identifies parts used on specific applications (not common to all units). If no code is stated the part is common to all dash numbers.
- .. - Part of higher assembly.
- \*/# - See explanation at end of parts list.

8.0.2 INTERCHANGEABLE HARDWARE: "AN", "MS", "NAS" and "AS" equivalent hardware is considered to be approved alternates for each other and may be used. The most common are as follows:

PART NUMBER	ALTERNATE	DESCRIPTION
AN345-516	MS35650-331	NUT, MACHINE
AN364-624A	MS21083N6	LOCK NUT
AN365-428A	MS21044N4	LOCK NUT
AN365-832A	MS21044N08	LOCK NUT
AN501A10-6	MS35266-61	SCREW
AN935-416	MS35338-44	WASHER, LOCK
AN935-516	MS35338-45	WASHER, LOCK
AN935-616	MS35338-46	WASHER, LOCK
AN935-8	MS35338-42	WASHER, LOCK
AN960-416	NAS1149F0463P	WASHER, FLAT
AN960-416L	NAS1149F0432P	WASHER, FLAT
AN960-516	NAS1149F0563P	WASHER, FLAT
AN960-516L	NAS1149F0532P	WASHER, FLAT
AN960-616	NAS1149F0663P	WASHER, FLAT
AN960-616L	NAS1149F0632P	WASHER, FLAT



**ZEE Systems, Inc.**

**COMPONENT MAINTENANCE MANUAL SZ58-003**

8.1 ILLUSTRATED PARTS LIST SZ58-003-1/-2/-3.

<b>FIG-ITEM</b>	<b>PART No.</b>	<b>DESCRIPTION</b>	<b>QTY</b>	<b>USAGE CODE</b>	<b>NOTES</b>
8-1	SZ58-003-1	Motor, Compressor Drive		A	
8-1	SZ58-003-2	Motor, Compressor Drive		B	
8-1	SZ58-003-3	Motor, Compressor Drive		C	
-1	DA9-38	Diffuser	1	A	Pre Mod C
-2	DA9-39	Fan	1	A	Pre Mod F
-3	SZ37-012-3	Placard”+”	1		
-4	SZ37-012-5	Placard “-“	1		
-5	SZ38-006-3	Cover, Fan	1	A	Pre Mod F
-6	SZ38-006-3A	Cover, Fan	1	A,B	Mod F
	SZ58-504-1	Alternate		A,B	Mod F
	Z99-501-1	Alternate		A,B	Mod F
-7	SZ41-019-5	Spacer	1	A	Mod A
-8	SZ43-008-3	Pulley	1	A	Mod B
-9	SZ58-004-3	Armature	1	A,B	
	SZ58-004-3D	Alternate			
-10	SZ58-004-3D	Armature	1	A,B	Mod D
	SZ58-004-3	Alternate			
-11	SZ58-008-3	Cover, Brush	1		
-12	SZ58-008-4	Cover, Brush	1		
-13	SZ58-020-1	Drive End Bell, (D.E.)	1	A,B	
	SZ58-005	Alternate			
-14	SZ58-021-1	Commutator End Bell (A.D.E.)	1	A	Pre Mod E
-15	SZ58-021-1A	End Bell, Anti-Drive End	1	A	Mod E
	SZ58-021-1B	Alternate			#
-16	SZ58-021-1B	End Bell, Anti-Drive End	1		Mod H
	SZ58-021-1A	Alternate			#
-17	SZ58-026-1	Stator	1	A,C	
	SZ58-026-2	Alternate			
-18	SZ58-026-2	Stator	1	B	
-19	SZ58-030-1	Jumper	1		
	Z99-030-1	Alternate			
-20	SZ83-041-3	Pulley	1	A	Mod A
-21	Z99-401-1	Fan	1		Mod F
-22	Z99-840-1	Bearing	1		
-23	Z99-840-3	Bearing	1		
-24	Z6386AK	Brush Kit	1		
	Z6386CK	Alternate	1		Mod M
-25	JH1163	Washer	1		



**ZEE Systems, Inc.**

**COMPONENT MAINTENANCE MANUAL SZ58-003**

<u>FIG-ITEM</u>	<u>PART No.</u>	<u>DESCRIPTION</u>	<u>QTY</u>	<u>USAGE</u>	<u>CODE</u>	<u>NOTES</u>
-26	JH12990-1	Retainer	1			Mod J, -1/-2
	Z99-8545-1	Alternate				
-27	JH12989-2	Retainer	1			
	Z99-8545-2	Alternate				
-28	JH12990	Retainer	1	A,B		
-29	05-325003	Nut, Bearing Lock	1			
-30	05-340200	Screw	4			
	AN526C1032R10	Alternate				
-31	05-349690	Screw	4	A,B		Pre Mod J
	AN502-8-14	Alternate				
-32	05-419000	Key	1			
	Z99-8544-1	Alternate				
-33	400649-1	I.D. Plate	1			Alt: 259179-1
-34	405690-1	Placard "Rotation"	1			
-35	AN3-17A	Bolt	6	A,B		Pre Mod N
-36	AN316-6R	Nut	2			
-37	AN4-4A	Bolt	1			
-38	AN6H6A	Bolt	1	A		Mod A
-39	AN501A10-6	Screw	4			
-40	AN501A10-12	Screw	8			
-41	AN520A416-12	Screw	8	A,C		Mod E
-42	MS20995C32	Lock Wire	AR	A		Mod A
-43	MS21044N08	Nut, Lock	1			Alt: AN365-832A
-44	MS21245-4	Nut, Castle	8	A,C		Alt: AN364-428C
-45	MS35206-245	Screw	1			
-46	MS35265-28	Screw	4			Alt: AN500A6
-47	MS35338-41	Washer, Lock	4			Alt: AN935-6
-48	MS35338-43	Washer, Lock	14	A,B		Alt: AN935-10L
	MS35338-43	Washer, Lock	16	C		Alt: AN935-10L
-49	MS35338-44	Washer, Lock	1			Alt: AN935-416
-50	MS35338-46	Washer, Lock	2			Alt: AN935-616L
			3			Mod A
-51	NAS1149F0332P	Washer, Flat	6	A,B		Alt: AN960-10L
	NAS1149F0332P	Washer, Flat	8	C		Alt: AN960-10L
-52	NAS1149F0432P	Washer, Flat	1			Alt: AN960-416L
-53	NAS1149F0463P	Washer, Flat	8	A,C		Alt: AN960-416
-54	NAS1149F0632P	Washer, Flat	4			Alt: AN960-616L
			5			Mod A
-55	SZ58-504-1	Cover, Fan	1	C		
-56	SZ58-505-1	End Bell Assy, Drive	1	C		



**ZEE Systems, Inc.**

**COMPONENT MAINTENANCE MANUAL SZ58-003**

<b>FIG-ITEM</b>	<b>PART No.</b>	<b>DESCRIPTION</b>	<b>QTY</b>	<b>USAGE CODE</b>	<b>NOTES</b>
-57	SZ58-805-1	Armature	1	C	
-58	405	Key, Woodruff	1	C	
-59	AN3-12A	Bolt	8	C	
-60	MS35206-248	Screw	4	A,B	Mod J
	MS35206-248	Screw	4	C	
-61	SZ58-029-1	Base Support, Electric Motor	1	C	
-62	AN4-5A	Bolt	2	C	
-63	AN5-6A	Bolt	1	C	
-64	NAS1351-4-10	Bolt, Socket Cap	2	C	
-65	400649-1	I.D. Plate	1	C	
-66	SZ58-000-1	Placard	1	C	
-67	SZ58-806-1	Armature	1	A,B	Mod K
-68	05-325004	Nut	1	A,B	Mod K
-69	05-378003	Washer	1	A,B	Mod K
-70	SZ58-026-1A	Stator	1	A,B	Mod L
-71	Z6386CK	Brush Kit	1		Mod M
-72	SZ58-505-2	End Bell, Drive	1	A,B	Mod N
-73	AN3-15A	Bolt	8	A,B	Mod N

# Mark appropriate Mod on ID Plate.







**ZEE Systems, Inc.**

**COMPONENT MAINTENANCE MANUAL SZ58-003**

8.2 ILLUSTRATED PARTS LIST END BELL ASSEMBLY, COMMUTATOR END SZ58-021. The SZ58-021-1 is not shown. Motors with the SZ58-021-1 must be returned to ZEE Systems, Inc. for rework or replace with the SZ58-021-1A/-1B. FIGURE 2/3/4.

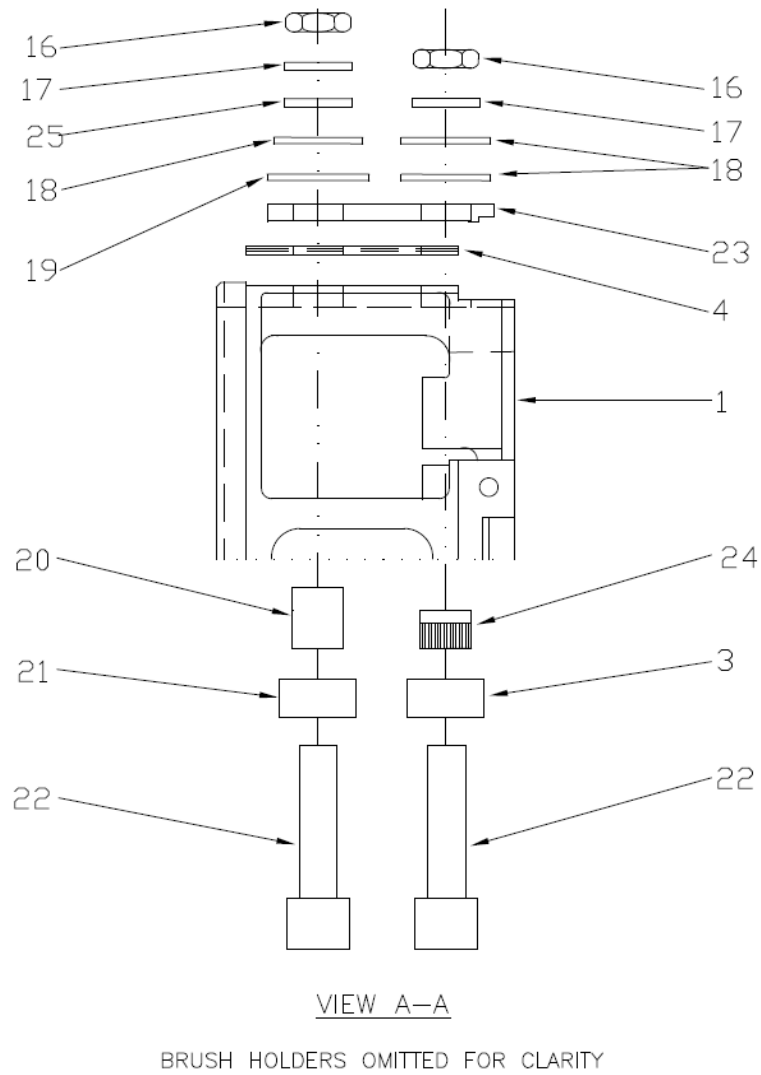
<u>FIG-ITEM</u>	<u>PART No.</u>	<u>DESCRIPTION</u>	<u>QTY</u>	<u>USAGE</u>	<u>CODE NOTES</u>
8-2/3/4	SZ58-021-1A	End Bell Assy, Comm End		A	
8-2/3/4	SZ58-021-1B	End Bell Assy, Comm End			B
-1	SZ58-021-1	Housing	1		
-2	SZ58-030-1	JumperAlt: Z99-030-1	1	A	
	Z99-030-1	Jumper	1	B	
-3	SZ58-401-1	Spacer, Stud	1		
-4	SZ58-007-3A	Band	1		
-5	JH12922	Holder, Brush	4	A	#1
	SZ58-500-1	Alternate	4	B	
-6	JH12539-2	Spring, Brush	8		
	Z99-845-1				
-7	AN365-1032C	Nut, Lock Alt: MS21045-3	8		
-8	05-374002	Washer, Insulating	8		
	JH12519-4				
-9	05-631018	Sleeve, Insulating	4		
	Z99-8541-1	Alternate			
-10	05-370092	Washer, Insulating	4		
	3129	Washer, Insulating	8		
-11	NAS1149F0332P	Washer, Flat Alt: AN960-10L	4		
-12	MS35266-65	Screw Alt: AN501A10-12	4		
-13	MS21045-4	Nut, Lock Alt: AN364-428C	4		
-14	NAS1149F0463P	Washer, Flat Alt: AN960-416	8		
-15	MS35266-81	Screw Alt: AN501A416-12	4		
-16	AN316-6R	Nut	2		
-17	MS35338-46	Washer, Lock Alt: AN935-616	2		
-18	NAS1149F0863P	Washer, Flat Alt: AN960-816	3		
-19	05-374-041	Washer, Insulating	1		
-20	05-631023	Sleeve, Insulating	1		
	Z99-8540-1	Alternate			
-21	DA10-122	Terminal Strip	1		
-22	DA10-121M	Stud	2	A	
	SZ58-503-1	Alternate	2	B	
-23	DA10-126	Insulating Terminal	1	A	
	SZ58-501-126	Insulating Terminal	1	B	
-24	DA10-129S	Sleeve	1		
-25	NAS1149F0632P	Washer, Flat Alt: AN960-616L	1		
-26	3129	Washer, Insulating	8		



**ZEE Systems, Inc.**

**COMPONENT MAINTENANCE MANUAL SZ58-003**

#1 All 4 Brush Holders must be the same. Either P/N is acceptable.

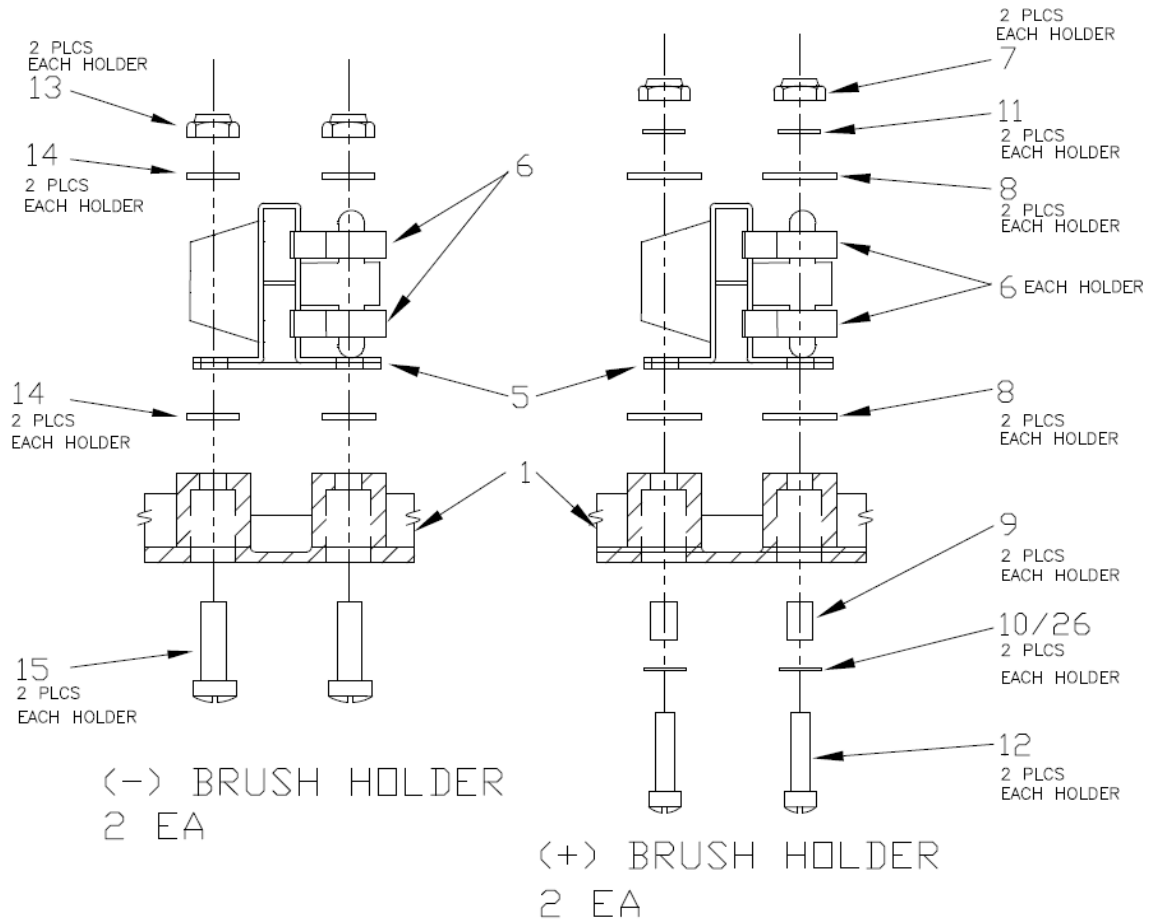


**FIG. 8-2**  
**Commutator End Bell, Terminal Hardware Exploded View.**



**ZEE Systems, Inc.**

**COMPONENT MAINTENANCE MANUAL SZ58-003**

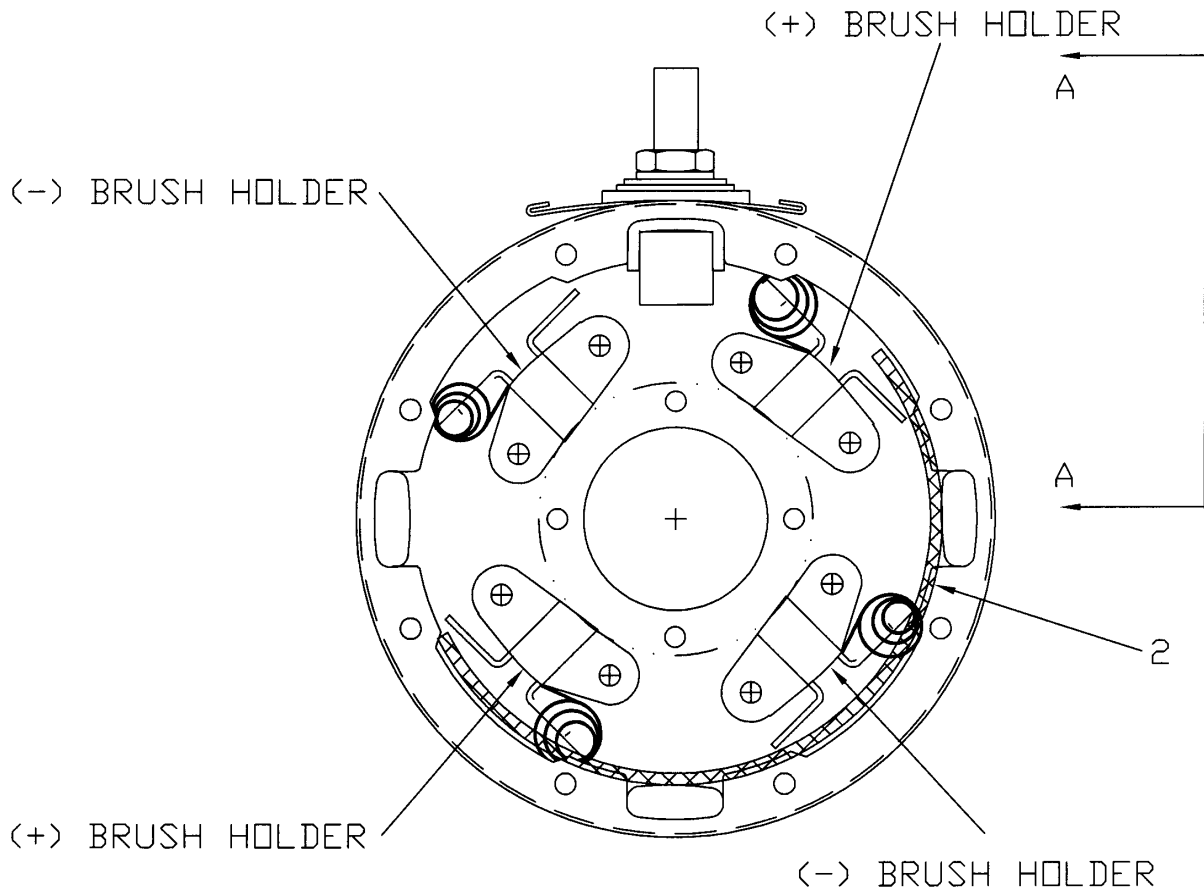


**FIG. 8- 3**  
**Commutator End Bell, Brush Holder Hardware Exploded View.**



**ZEE Systems, Inc.**

**COMPONENT MAINTENANCE MANUAL SZ58-003**



**FIG. 8- 4**  
**Commutator End Bell Layout. See Exploded Views for Details**



**ZEE Systems, Inc.**

**COMPONENT MAINTENANCE MANUAL SZ58-003**

**9.0 MODIFICATION SUMMARY**

9.0.1 This section lists modifications to the motor. These modifications are shown on the I. D. Placard.

9.1 MOD "A" Attach 1ea SZ83-041-3 Pulley, 1ea SZ41-019-5 Spacer, 1ea NAS1149F0632P Flat Washer, 1ea MS35338-46 Lock Washer, 1ea AN6H6A Bolt to output shaft.

9.2 MOD "B" 1ea SZ43-008-3 Pulley is supplied with motor to be attached in the field.

9.3 MOD "C" The following parts are deleted and not used, 1ea DA9-38 Diffuser, 4ea MS35265-28 Screw, 4ea MS35338-41 Lock Washer.

9.4 MOD "D" Use SZ58-004-3D Armature as alternate.

9.5 MOD "E" Change mounting and attaching hardware for the 2ea negative brush holders. Add: 8ea NAS1149F0463P Flat Washer, 4ea MS21245-4 Castle Nut, 4ea AN502A416-12 Screw. Delete: 4ea AN501A10-10 Screw, 8ea AN365-1032C Nut, 4ea 05-374002 Washer, 4ea 05-631018 Sleeve, 2ea SZ58-030-2 Strap. Using and deleting the parts listed change the end bell to the SZ58-021-1A configuration.

9.6 MOD "F" Use Fan Z99-401-1 as alternate for DA9-39 Fan. Use Fan Cover SZ38-006-3A or Z99-505-1. Fan Cover SZ38-006-3 cannot be used with the Z99-401-1 Fan.

9.7 Mod "G": Add SZ58-026-2 Stator Assy to the L/M & F/D. When using the SZ58-026-2 Stator identify the motor assembly as SZ58-003-2 or SZ58-003-1 (MOD G).

9.8 MOD "H" Add SZ58-021-1B End Bell assembly to L/M & F/D. SZ58-021-1B is an alternate and interchangeable for SZ58-021-1A.

9.9. Skip MOD "I"

9.10. MOD "J" (-1 & -2 only) use JH12990-1 Retainer. Attach with 4ea MS35206-248 Screw.

9.11. MOD "K" Use 1ea SZ58-806-1 Armature. Attach using 1ea 05-378003 Washer and 1ea 05-325004 Nut.

9.12. MOD "L" Use Stator Assy SZ58-026-1A as alternate for SZ58-026-1. Motors with Mod "L" stator (-1A) can be used in all applications. Motors with "Pre Mod "L" (-1) Stator cannot be used in later applications.



**ZEE Systems, Inc.**

***COMPONENT MAINTENANCE MANUAL SZ58-003***

9.13 MOD "M" Use brush kit Z6386CK. Kit contains 4 each Z6386C Brushes.

9.14 MOB "N" For -1 & -2 motor only. Use drive end bell SZ58-505-2 as alternate for SZ58-020-1. SZ58-505-2 and SZ58-020-1 are interchangeable.

9.5. Skip MOD "O"



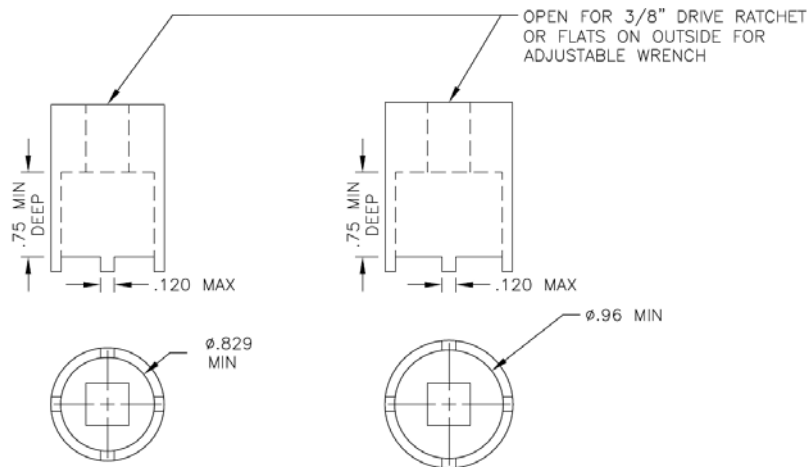
# ZEE Systems, Inc.

## COMPONENT MAINTENANCE MANUAL SZ58-003

### APPENDIX A

This Appendix provides information to fabricate fixtures and tooling needed form the assembly of the SZ58-003 Motor.

Any suitable material may be used. Mild steel or aluminum is recommended.



1. STEEL IS RECOMMENDED FOR THIS TOOL.
2. FABRICATE FROM ROD WITH A SET OF FLATS ON THE OUTSIDE FOR ADJUSTABLE WRENCH.
3. IN PLACE OF ROD A SUITABLE SIZED  $\frac{3}{8}$  DRIVE DEEP SOCKET MAY BE MODIFIED TO MAKE THIS SPANNER.

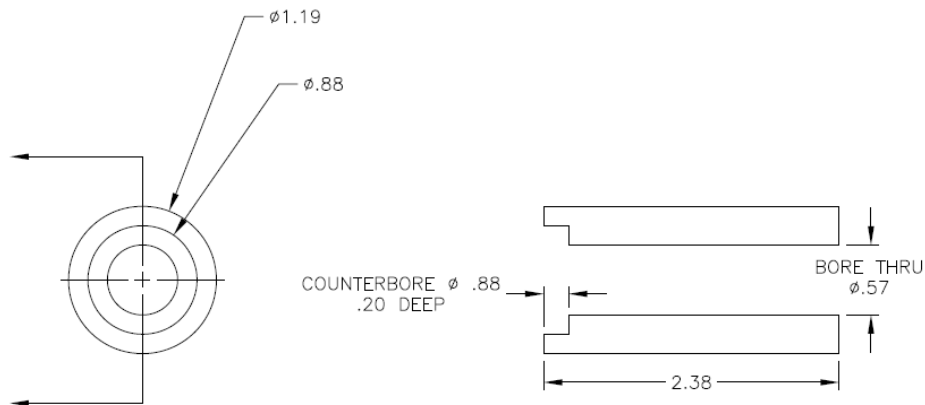
**SZ58T101-1**

Use with Z99-8542-1 Nut

**SZ58T101-2**

Use with Z99-8542-2 Nut (MOD K)

**SZ58T101A**



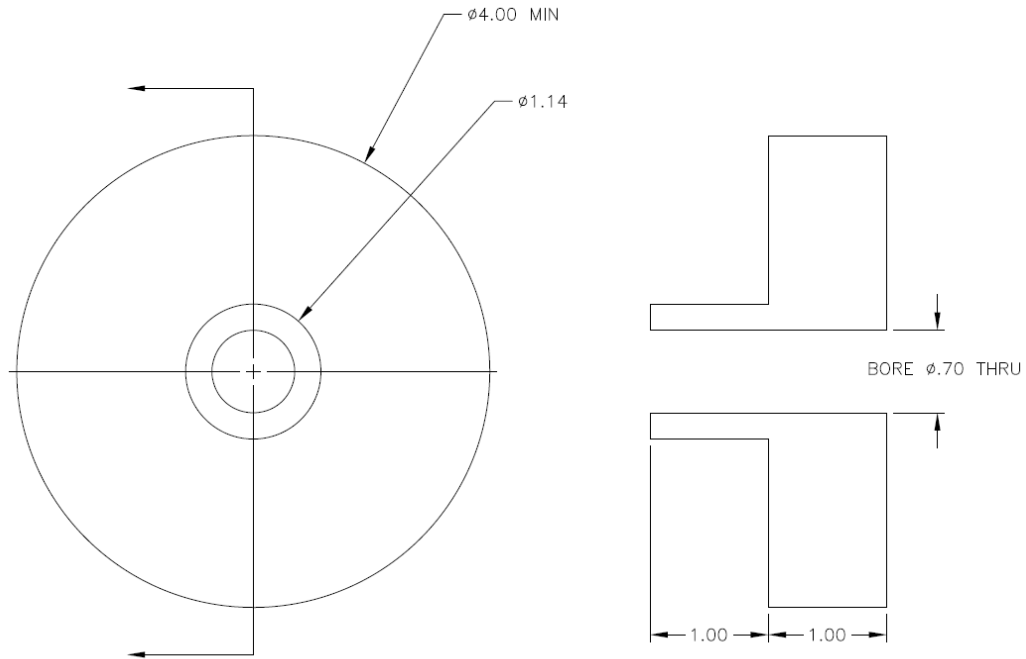
**SZ58T102**



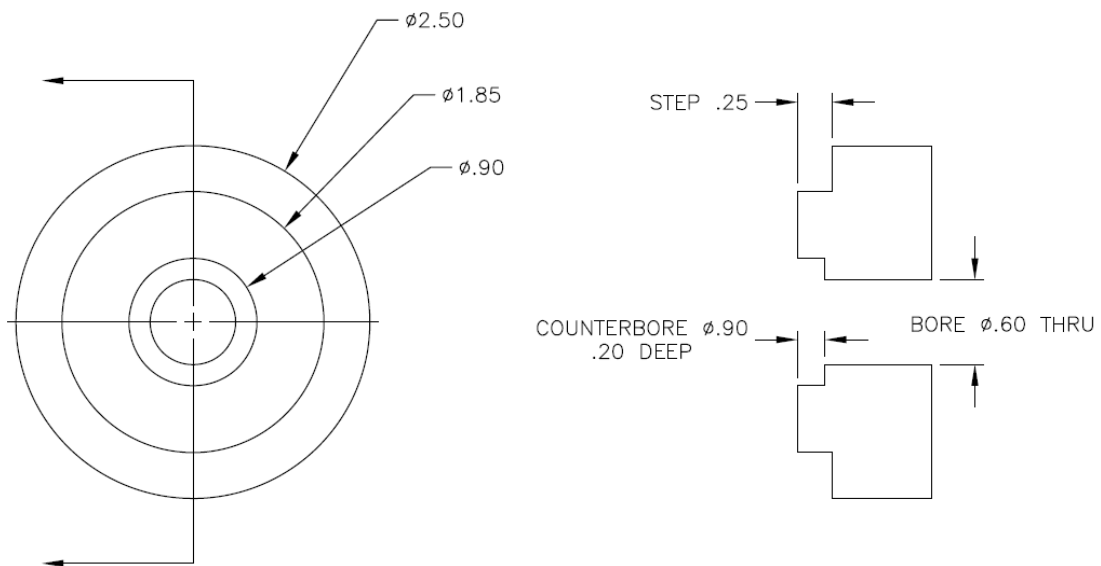


**ZEE Systems, Inc.**

**COMPONENT MAINTENANCE MANUAL SZ58-003**



**SZ58T103**

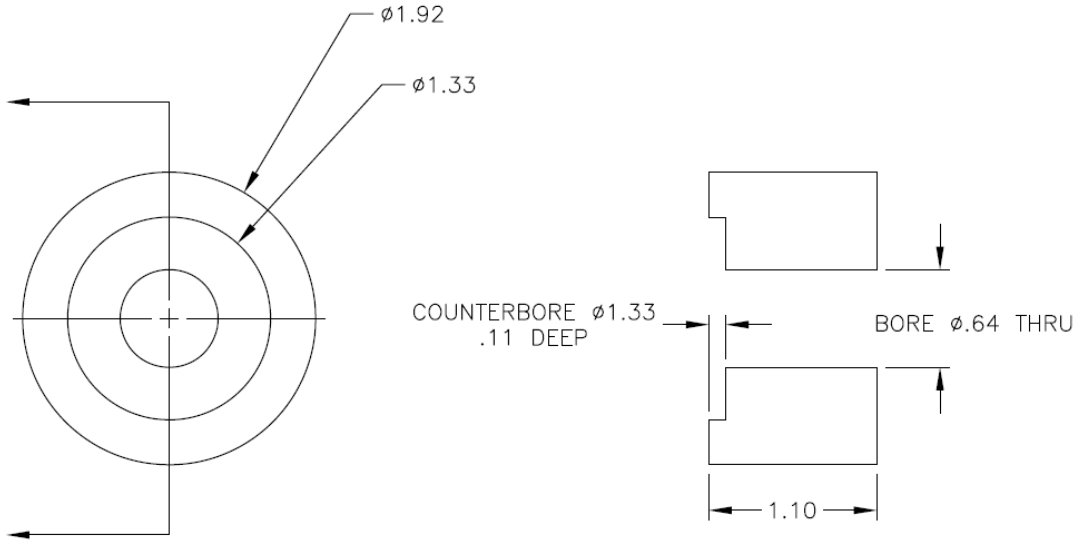


**SZ58T104**

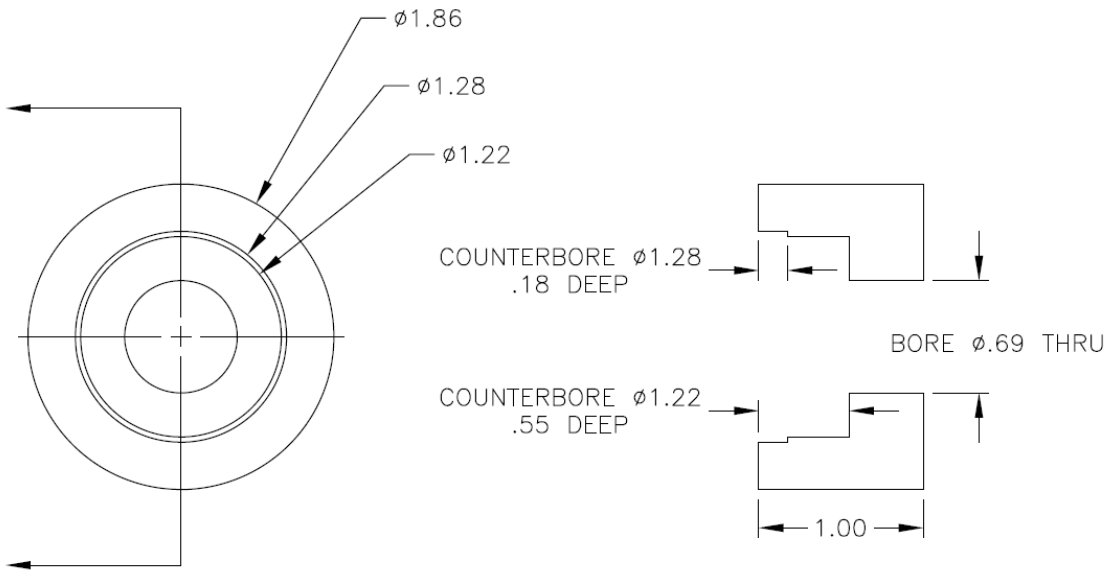


**ZEE Systems, Inc.**

**COMPONENT MAINTENANCE MANUAL SZ58-003**



**SZ58T105**



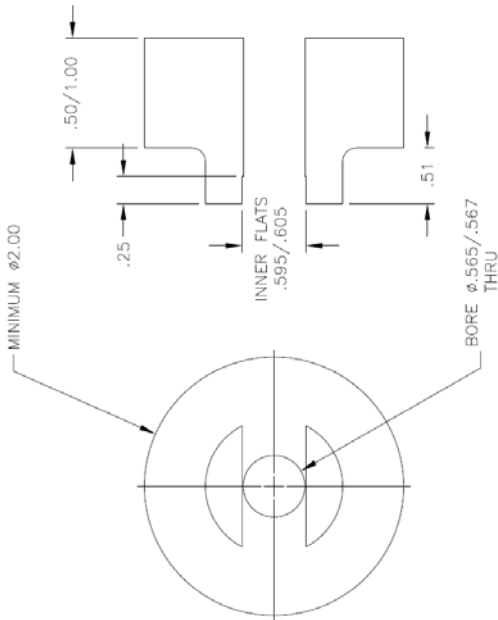
**SZ58T106**



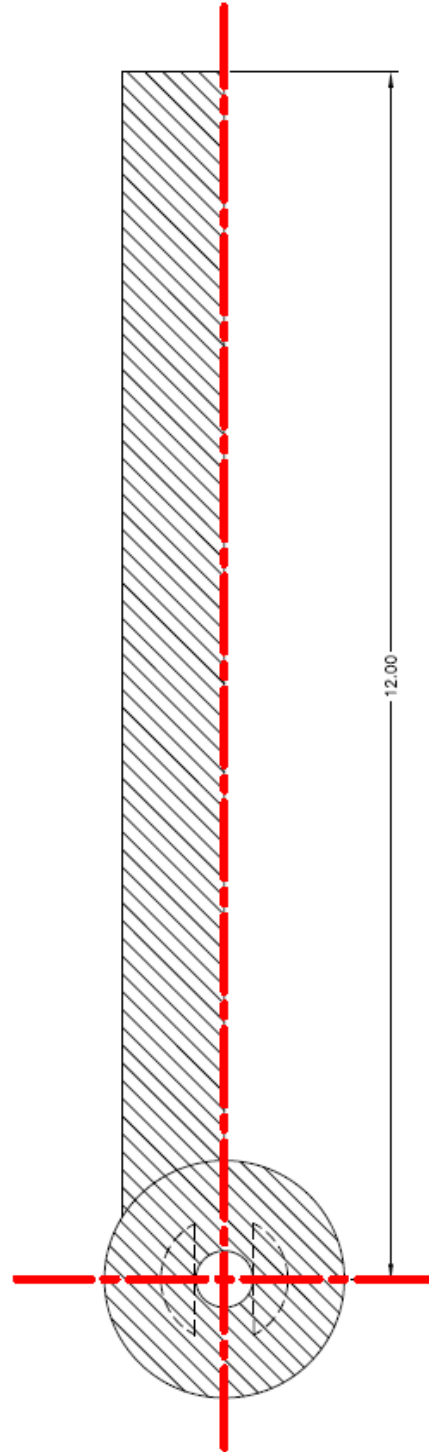
# ZEE Systems, Inc.

## COMPONENT MAINTENANCE MANUAL SZ58-003

1. STEEL IS RECOMMENDED FOR THIS FIXTURE.
2. FABRICATE A HUB WITH A SET OF FLATS.
3. ATTACH TO THE HUB BY WELDING OR WITH FASTENERS AN ARM.
4. THE ARM SHALL BE OF SUFFICIENT THICKNESS SO IT WILL NOT BEND OR DISTORT DURING THE LOCKED ROTOR TESTS.
5. THE ARM BASE SHALL BE ON THE CENTERLINE OF THE BORE IN THE HUB.
6. THE ARM SHALL BE 12.00" FROM THE CENTER OF THE BORE TO THE END.
7. THE CENTER BORE MUST BE CLEAR ALL THE WAY THROUGH FOR THE MOTOR OUTPUT SHAFT TO RIDE.



SZ58T107





**ZEE Systems, Inc.**

***COMPONENT MAINTENANCE MANUAL SZ58-003***

SUMMARY OF REVISIONS

Rev. 1.

1. Add SZ58-003-3 to Manual.
2. Update IPL with alternate part numbers.
3. Add or update ILLUSTRATIONS 1 through 14.
4. Add APPENDIX A to manual.

Rev. 2.

1. Add, 3.2.2.3