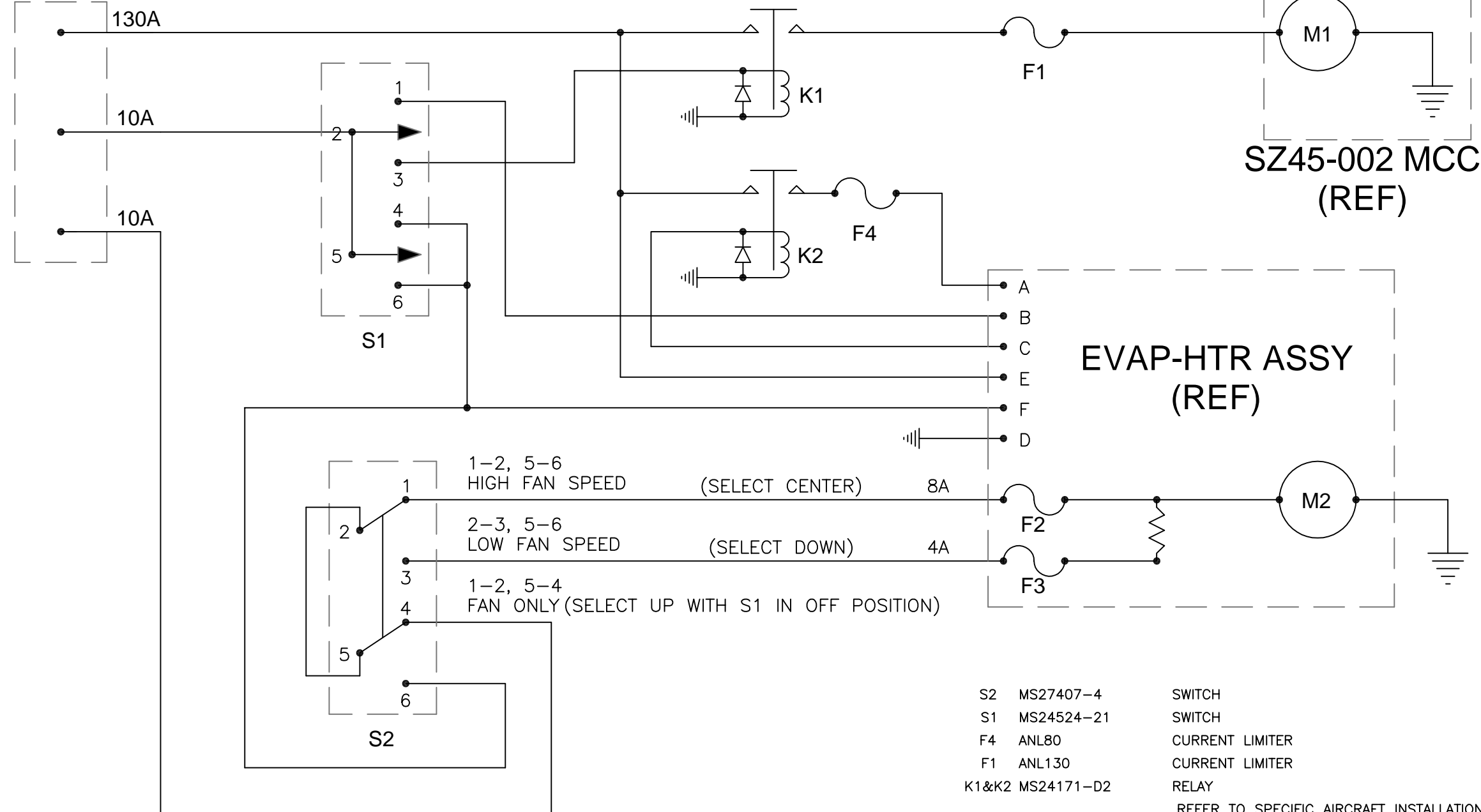


LIST OF REVISIONS

REV	DESCRIPTION	DATE	APPVD
IR	INITIAL RELEASE	11-14-03	KJZ

ACFT POWER



- S2 MS27407-4 SWITCH
- S1 MS24524-21 SWITCH
- F4 ANL80 CURRENT LIMITER
- F1 ANL130 CURRENT LIMITER
- K1&K2 MS24171-D2 RELAY

REFER TO SPECIFIC AIRCRAFT INSTALLATION FOR DETAILS

NOTES:

1. USE M22759/16-(xx) WIRE. REFER TO A.C.43.13-2B FOR WIRE SIZE.
2. DIODE 1N4007.
3. TERMINAL END LUGS TO MEET MS25036, SPLICES TO MEET MS25181.
4. JUMPER 2 TO 5 ON SWITCH S2.
5. S2 KEYWAY MUST BE UP.

PROPRIETARY DATA NOTIFICATION
 THE INFORMATION CONTAINED HEREIN IS PROPRIETARY TO ZEE SYSTEMS, INC. DISCLOSURE, REPRODUCTION OR ANY OTHER USE OR DISSEMINATION OF THIS INFORMATION IS FORBIDDEN WITHOUT WRITTEN AUTHORIZATION FROM ZEE SYSTEMS, INC., SAN ANTONIO, TX.

NO.	REQ'D.	PER ASSY	PART NO.	NAME	STOCK SIZE	MATERIAL	MAT'L SPEC	
LIST OF MATERIAL								
UNLESS OTHERWISE NOTED				DRAWN BY	K.ZAIONTZ	11-14-03	TITLE	
.X+/- .060				CHECK			TYPICAL SCHEMATIC (FUNCTIONAL)	
.XX+/- .030				STRESS				
.XXX+/- .010				ENGR	K.ZAIONTZ	11-14-03		
DASH NO.	NO. REQ'D PER ASSY	NEXT ASSY	MODEL	ZEE SYSTEMS, INC. 406 W. Rhapsody San Antonio, TX 78216 USA			DWG NO.	REV
							SZ45H-WD-F	IR