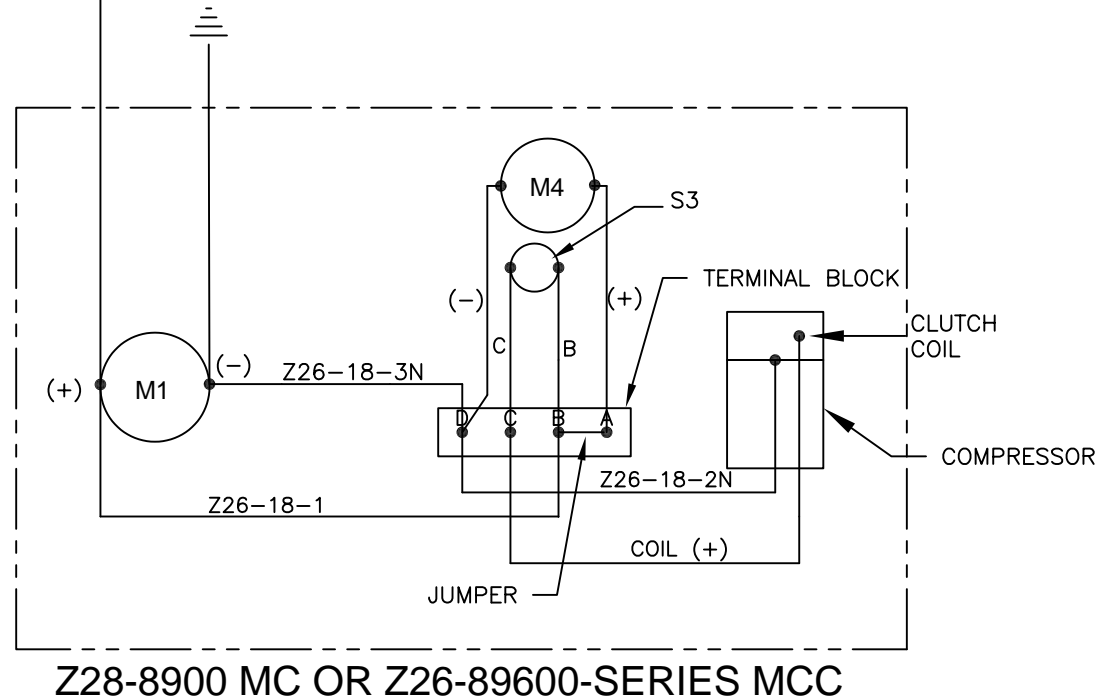
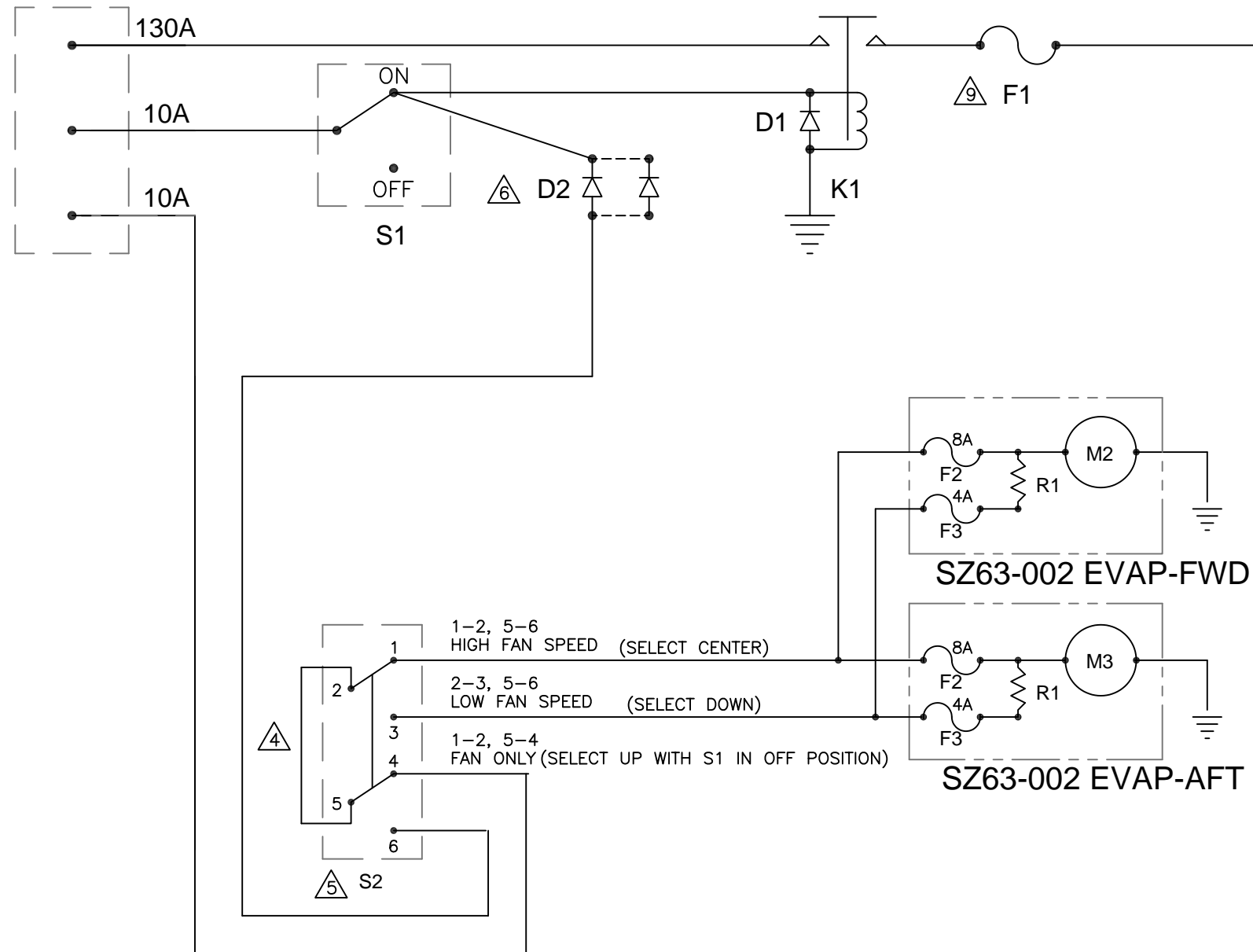


ACFT POWER



LIST OF REVISIONS			
REV	DESCRIPTION	DATE	APPVD
IR	INITIAL RELEASE	11-14-03	KJZ
A	1. ADD: DWG: Z26-8900-WD	5-18-08	KJZ
B	1. ADD: CALL OUT D1, S3, M4, & R1 TO L/M. 2. ADD: D2 TO F/D & L/M. 3. ADD NOTES 6, 7, 8, 9, & 10. 4. ADD MC & MCC DETAIL.	6-30-08	KJZ

- R1 SZ63-032-1 RESISTOR
- M4 Z09-602-4 BLOWER MOTOR ASSY
- M3 SZ63-021-(X) MOTOR, BLOWER
- M2 SZ63-021-(X) MOTOR BLOWER
- M1 Z99-800-1 MOTOR, COMP DRIVE
- D2 6A10 DIODE
- D1 DS030-0202 DIODE ALT: 1N4007
- S3 Z99-032-1 PRESSURE SWITCH
- S2 MS27407-4 SWITCH
- S1 MS24523-22 SWITCH
- F3 MDL-8 FUSE
- F2 MDL-4 FUSE
- F1 ANL130 FUSE
- K1 DS032-1 RELAY ASSY, w/DIODE ALT: MS24171-D2
REFER TO SPECIFIC AIRCRAFT INSTALLATION FOR DETAILS

- NOTES:
- USE M22759/16-(xx) WIRE. REFER TO A.C.43.13-2B FOR WIRE SIZE.
 - COMPRESSOR DRIVE MOTOR M1, P/N Z99-800-1 IS RATED FOR CONTINUOUS DUTY, 150A @ 28 VDC.
 - TERMINAL END LUGS TO MEET MS25036, SPLICES TO MEET MS25181.
 - JUMPER 2 TO 5 ON SWITCH S2.
 - S2 KEYWAY MUST BE UP.
 - IF ONLY M2 OR M3 IS USED USE 1EA DIODE D2 (6A10). IF BOTH M2 AND M3 ARE USED INSTALL 2EA D2 DIODE IN PARALLEL.
 - ZEE SYSTEMS, INC. RELAY ASSY w/DIODE P/N: DS032-1 HAS DIODE D1 P/N DS030-0202 INSTALLED. SEE L/M FOR ALTERNATE DIODE.
 - IF ALTERNATE RELAY K1 P/N MS24171-D2 IS USED DIODE D1 (OR ALTERNATE D1) MUST BE INSTALLED.
 - FOR CURRENT LIMITER US BASE P/N 4164.
 - FOR ADDITIONAL MC OR MCC WIRING DETAILS REFER TO CMM Z26-8900 AND Z26-89600 OR DRAWING Z26-8900WD.

PROPRIETARY DATA NOTIFICATION
 THE INFORMATION CONTAINED HEREIN IS PROPRIETARY TO ZEE SYSTEMS, INC. DISCLOSURE, REPRODUCTION OR ANY OTHER USE OR DISSEMINATION OF THIS INFORMATION IS FORBIDDEN WITHOUT WRITTEN AUTHORIZATION FROM ZEE SYSTEMS, INC., SAN ANTONIO, TX.

NO.	REQ'D. PER ASSY	PART NO.	NAME	STOCK SIZE	MATERIAL	MAT'L SPEC
LIST OF MATERIAL						
			DRAWN BY	K.ZAIONTZ	11-14-03	TITLE
			CHECK			TYPICAL SCHEMATIC (FUNCTIONAL)
			STRESS			
			ENGR	K.ZAIONTZ	11-14-03	
			DWG NO.		REV	
			Z26-WD-F		B	

ZEE SYSTEMS, INC.
 406 W. Rhapsody San Antonio, TX 78216 USA